

STA-RITE® OptiFlo® Pumps

For Aboveground Pools



STA-RITE OptiFlo® Pool Pump

Featured Highlights

- User-friendly removable drain plugs
- Cam and Ramp lid lock
- **Typical Installation** – Ideal for aboveground pool and small inground pools.
- **Years of Service** – Stands tough against temperature and weather extremes
- **External Threads** – Discharge port features external threads for quick-connect unions

STA-RITE OptiFlo® Exceptionally quiet operation and high-flow performance. Constructed of Sta-Rite's rugged thermoplastic resin. Large 5-1/2 in. capacity trap and an all-weather, smooth-running motor.

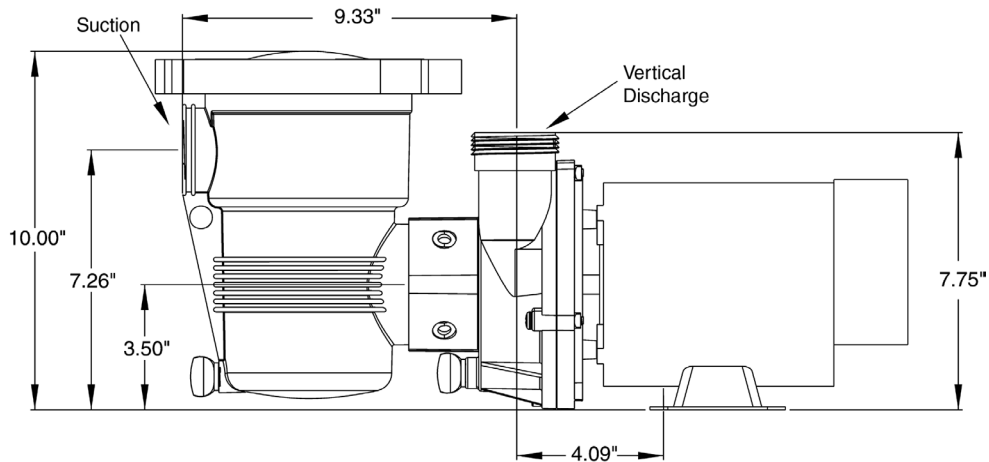
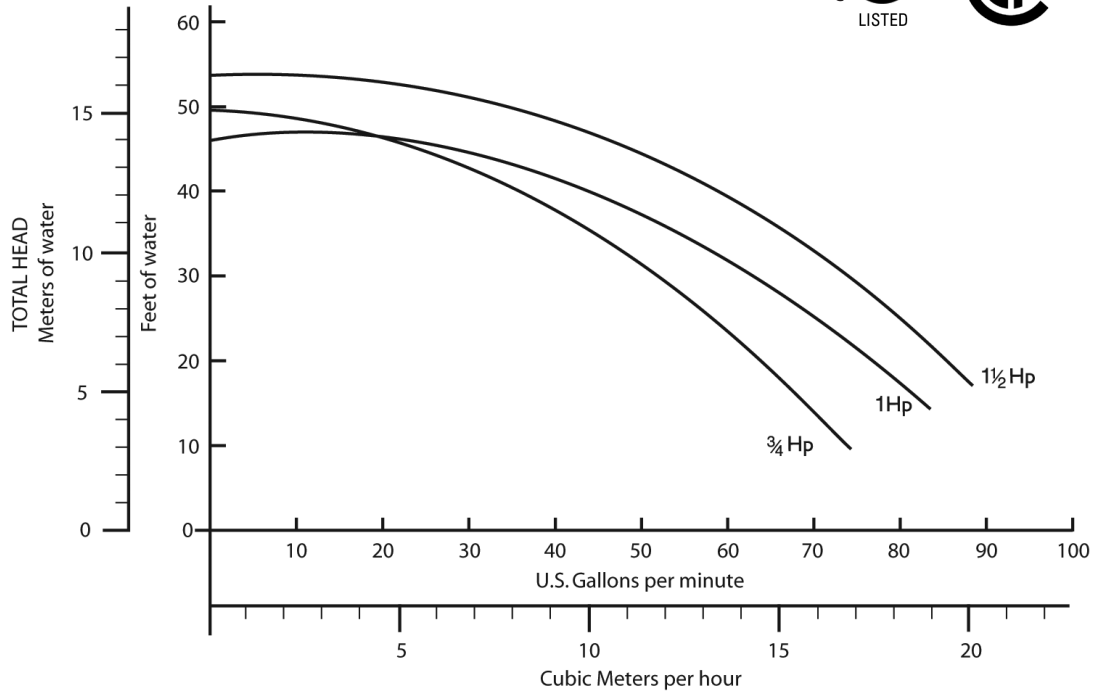
Ordering Information

Product	Discharge	Motor Voltage	Nominal HP	Load Amps	Full Pipe Size	Carton Wt. (Lbs.)
SINGLE SPEED WITH 3 FT. STANDARD CORD						
347981SR	Horiz.	115	3/4	9.2	1-1/2 in.	20
347982SR	Horiz.	115	1	12.0	1-1/2 in.	22
347983SR	Horiz.	115/230	1-1/2	16.0	1-1/2 in.	24
SINGLE SPEED WITH 3 FT. TWIST LOCK CORD						
340066SR	Horiz.	115	3/4	9.2	1-1/2 in.	20
347988SR	Horiz.	115	1	12.0	1-1/2 in.	22
347989SR	Horiz.	115/230	1-1/2	16.0	1-1/2 in.	24
SINGLE SPEED WITH 25 FT. STANDARD CORD						
347993SR	Horiz.	115	3/4	9.2	1-1/2 in.	20
347994SR	Horiz.	115	1	12.0	1-1/2 in.	22
347995SR	Horiz.	115/230	1-1/2	16.0	1-1/2 in.	24
TWO SPEED WITH 3 FT. STANDARD CORD						
347991SR	Horiz.	115	1	11.0/2.9	1-1/2 in.	22
340079SR	Horiz.	115	1-1/2	16.4/4.4	1-1/2 in.	24
TWO SPEED WITH 3 FT. TWIST LOCK CORD						
340071SR	Horiz.	115	1	11.0/2.9	1-1/2 in.	22
340073SR	Horiz.	115	1-1/2	16.4/4.4	1-1/2 in.	24
50 Hz MOTORS WITHOUT CORD AND SWITCH						
340056SR	Vert.	230	3/4	5.0	1-1/2 in.	20
340057SR	Vert.	230	1	6.2	1-1/2 in.	22
340058SR	Vert.	230	1-1/2	7.8	1-1/2 in.	24

STA-RITE® OptiFlo® Pumps (Cont'd)

For Aboveground Pools

Dimensions and Performance



See page 506 for replacement parts.