

# STA-RITE® Dynamo® Pumps

## For Aboveground Pools



### Featured Highlights

- **Typical Installation** – Ideal for aboveground pool
- **Years of Service** – Stands tough against temperature and weather extremes
- **High-Flow** – Designed to move large amounts of water at lower restrictions
- **External Threads** – Discharge port features external threads for quick-connect unions

STA-RITE Dynamo® Aboveground Pool Pump

**STA-RITE** Dynamo® Exceptionally quiet operation and high-flow performance. Constructed of Sta-Rite's rugged thermoplastic resin. Large-capacity trap and an all-weather, smooth-running motor.

### Ordering Information

Product	Motor Voltage	Nominal HP	Load Amps	Full Pipe Size	Carton Wt. (Lbs.)
<b>SINGLE SPEED WITH 3 FT. STANDARD CORD</b>					
351233SR	115	1/2	9.2	1-1/2 in.	24
340194SR	115	3/4	9.2	1-1/2 in.	24
340197SR	115	1	12.0	1-1/2 in.	26
340210SR	115	1-1/2	12.0	1-1/2 in.	26
<b>SINGLE SPEED WITH 3 FT. TWIST LOCK CORD</b>					
340314SR	115	3/4	9.2	1-1/2 in.	24
340316SR	115	1	12.0	1-1/2 in.	27
347970SR	115	1-1/2	16.0	1-1/2 in.	30
<b>SINGLE SPEED WITHOUT CORD</b>					
340103SR	115	3/4	9.2	1-1/2 in.	25
340104SR	115	1	12.0	1-1/2 in.	26
340106SR	115/230	1-1/2	16.0	1-1/2 in.	31
<b>SINGLE SPEED WITH 25 FT. STANDARD CORD</b>					
340288SR	115	3/4	9.2	1-1/2 in.	29
340289SR	115	1	12.0	1-1/2 in.	31
340290SR	115/230	1-1/2	16.0	1-1/2 in.	33
<b>TWO SPEED WITH 3 FT. STANDARD CORD</b>					
340207SR	115	3/4	8.8/2.6	1-1/2 in.	26
340060SR	115	1	11.0/2.9	1-1/2 in.	29
340400SR	115	1-1/2	11.0/2.9	1-1/2 in.	29
<b>TWO SPEED WITH 3 FT. TWIST LOCK CORD</b>					
340209SR	115	3/4	8.8/2.6	1-1/2 in.	26
340062SR	115	1	11.0/2.9	1-1/2 in.	29
340542SR	115	1-1/2	16.4/4.4	1-1/2 in.	31
<b>50 Hz MOTORS WITHOUT CORD AND SWITCH</b>					
340119SR	230	3/4	5.0	1-1/2 in.	25
340175SR	230	1	6.2	1-1/2 in.	26
345550SR	230	1-1/2	7.8	1-1/2 in.	31

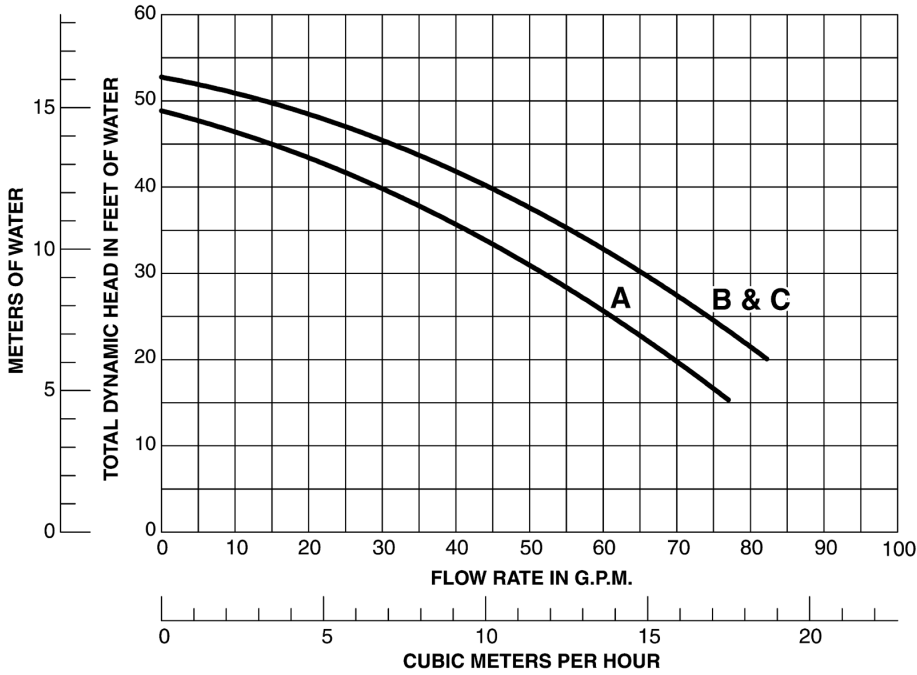
# STA-RITE® Dynamo® Pumps (Cont'd)

## For Aboveground Pools

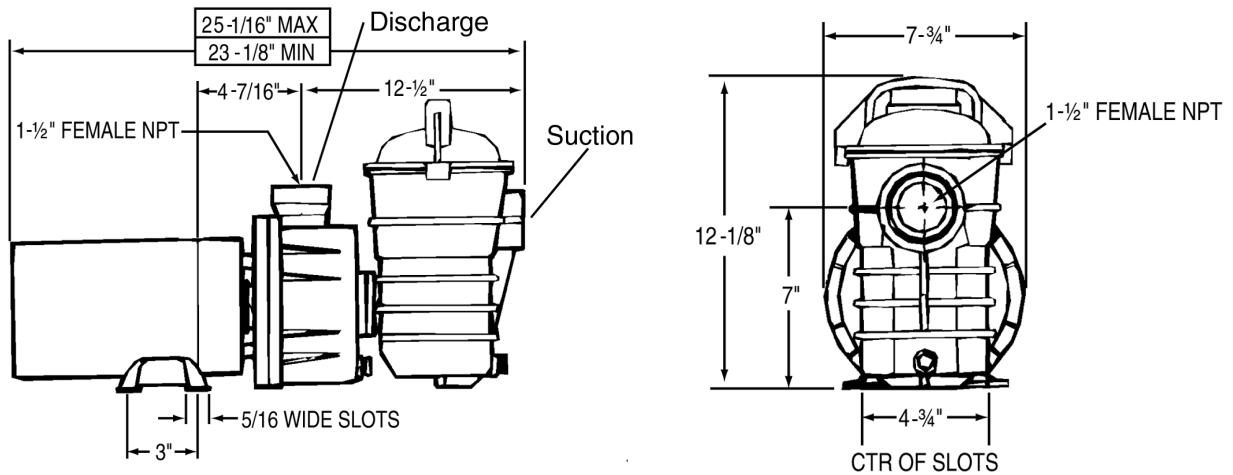
### Dimensions and Performance



**PUMP PERFORMANCE CURVE  
DYNAMO PUMPS**



A = 3/4 HP, B = 1 HP, C = 1 1/2 HP



All dimensions shown in inches.

See pages 507 for replacement parts.