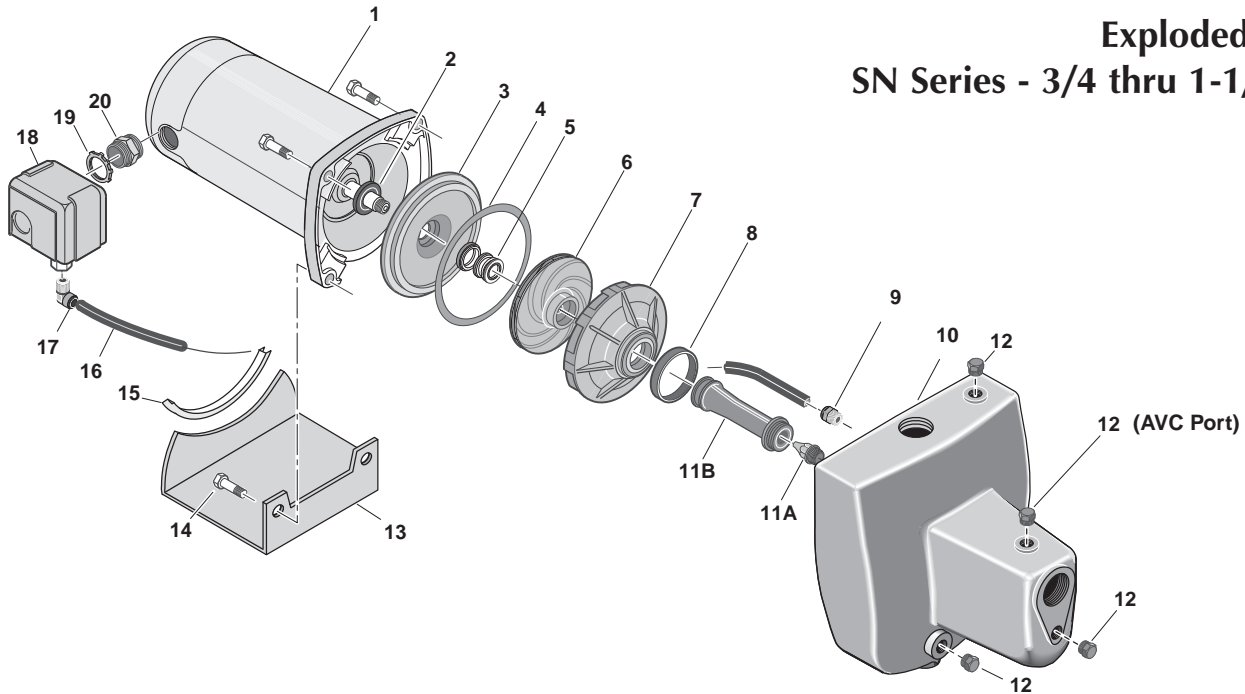


Exploded View SN Series - 3/4 thru 1-1/2 HP



REPAIR PARTS LIST: SN Series, 3/4 thru 1-1/2 HP

Key No.	Part Description	No. Used	Model and Horsepower		
			SND-L 3/4 HP	SNE-L 1 HP	SNF-L 1-1/2 HP
1	Motor	1	J218-590PKG	J218-596PKG	J218-601PKG
#§2	Water Slinger	1	17351-0009	17351-0009	17351-0009
3	Seal Plate	1	N3-1043P	L3-10	L3-10
#§4	Seal Plate Gasket	1	N20-35	C20-21	C20-21
#§5	Shaft Seal	1	U109-6A	U109-6A	U109-6A
#6	Impeller	1	J105-42P	J105-8PAN	J105-22PA
#7	Diffuser	1	L1-25P	L1-23P	L1-23P
#§8	Diffuser Gasket	1	N20-34	—	—
•	Diffuser Screw	3	—	U30-489SS	U30-489SS
•	Diffuser Star Washer	3	—	U43-21SS	U43-21SS
9	Quick Connect - 1/4" NPT	1	U11-217P	U11-217P	U11-217P
10	Pump Body - Assembly	1	N176-43B	N176-44	N176-44A
11A	Nozzle	(1)	N34P-21(#47)	J34P-44(#54)	J34P-44(#54)
11B	Venturi	(1)	N32P-75	N32P-64	N32P-65
12	Pipe Plug - 1/4" NPT Hex Hd.	(4)	U78-941ZPV(3)	U78-941ZPV	U78-941ZPV
13	Base	1	J4-9	J4-9C	J4-9C
14	Hex Capscrew - 3/8" - 16 x 1-1/4" Lg.	4	U30-75ZP	U30-75ZP(2)	U30-75ZP(2)
14	Hex Capscrew - 3/8" - 16 x 1-1/2" Lg.	2	—	U30-76ZP	U30-76ZP
15	Rubber Pad	1	C35-5	C35-5	C35-5
16	Tube 1/4" I.D.	1	U37-676P	U37-672P	U37-672P
17	Quick Connect Elbow - 1/4" NPT	1	U11-218P	U11-218P	U11-218P
18	Pressure Switch	1	U217-1225	U217-1225	U217-1225
19	Locknut - 1/2"	1	U36-112ZP	U36-112ZP	U36-112ZP
20	Connector	1	L43-5C	L43-5C	L43-5C

§ Included in Seal and Gasket Kit.

Included in Overhaul Kit.

NOTE: Quantity is one unless otherwise noted ().

• Not illustrated.

SERVICE KITS

§ Seal and Gasket Kit	PP1550	PP1553	PP1564
# Overhaul Kit	PP1561	PP1563	PP1514