

OptiFlo® Pumps

For Aboveground Pools



OptiFlo Pump

Featured Highlights

- Large strainer basket
- Cam and Ramp lid lock
- See-thru lid
- Unionized discharge port connection
- Easy to service
- User-friendly removable drain plugs
- Metal base on motor

OptiFlo® pumps for aboveground pools feature a revolutionary design that delivers dependable high flow performance. The OptiFlo features a 48 frame-thru bolt motor, easy access to change the discharge port position, service the impeller, and an exclusive Cam and Ramp™ lid. The OptiFlo is available with 3 ft. cord, with a twist lock or standard plug.

Ordering Information

Product	Discharge	Voltage	Full Load Amps	HP	Cord Length (Ft.)	Full Pipe Size	Carton Wt. (Lbs.)
CORDS W/STANDARD PLUGS							
347981	Horizontal	115	9.2	3/4	3 ft. STD	1-1/2 in.	20
347984	Vertical	115	9.2	3/4	3 ft. STD	1-1/2 in.	20
347982	Horizontal	115	12	1	3 ft. STD	1-1/2 in.	22
347985	Vertical	115	12	1	3 ft. STD	1-1/2 in.	22
347983	Horizontal	115	16	1-1/2	3 ft. STD	1-1/2 in.	24
347986	Vertical	115	16	1-1/2	3 ft. STD	1-1/2 in.	24
340078	Horizontal	115	16	2	3 ft. STD	1-1/2 in.	24
CORDS W/TWIST LOCK PLUGS							
340066	Horizontal	115	9.2	3/4	3 ft. TWL	1-1/2 in.	20
340065	Vertical	115	9.2	3/4	3 ft. TWL	1-1/2 in.	20
347988	Horizontal	115	12	1	3 ft. TWL	1-1/2 in.	22
347987	Vertical	115	12	1	3 ft. TWL	1-1/2 in.	22
347989	Horizontal	115/230	16	1-1/2	3 ft. TWL	1-1/2 in.	24
340067	Vertical	115/230	16	1-1/2	3 ft. TWL	1-1/2 in.	24
340069	Horizontal	115	16	2	3 ft. TWL	1-1/2 in.	24
2 SPEED MOTORS							
347991	Horizontal	115	11.0/2.9	1	3 ft. STD	1-1/2 in.	22
347990	Vertical	115	11.0/2.9	1	3 ft. STD	1-1/2 in.	22
340071	Horizontal	115	11.0/2.9	1	3 ft. TWL	1-1/2 in.	22
340070	Vertical	115	11.0/2.9	1	3 ft. TWL	1-1/2 in.	22
340079	Horizontal	115	16.4/4.4	1-1/2	3 ft. STD	1-1/2 in.	24
347992	Vertical	115	16.4/4.4	1-1/2	3 ft. STD	1-1/2 in.	24
340073	Horizontal	115	16.4/4.4	1-1/2	3 ft. TWL	1-1/2 in.	24
340072	Vertical	115	16.4/4.4	1-1/2	3 ft. TWL	1-1/2 in.	24
340077	Horizontal	115	16.4/4.4	2	3 ft. STD	1-1/2 in.	24
340076	Horizontal	115	16.4/4.4	2	3 ft. TWL	1-1/2 in.	24

OptiFlo® Pumps (Cont'd)

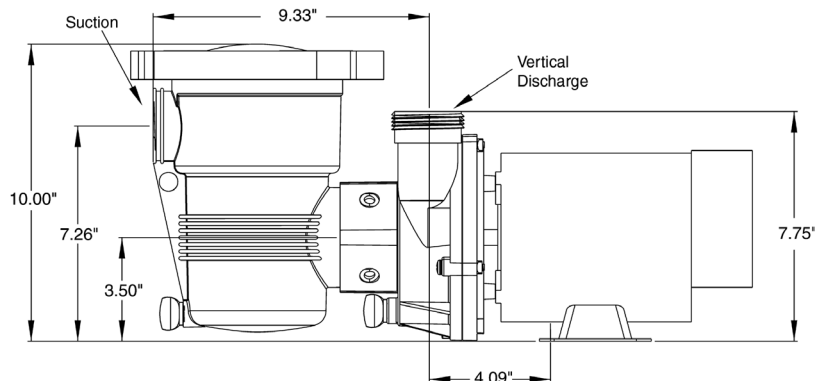
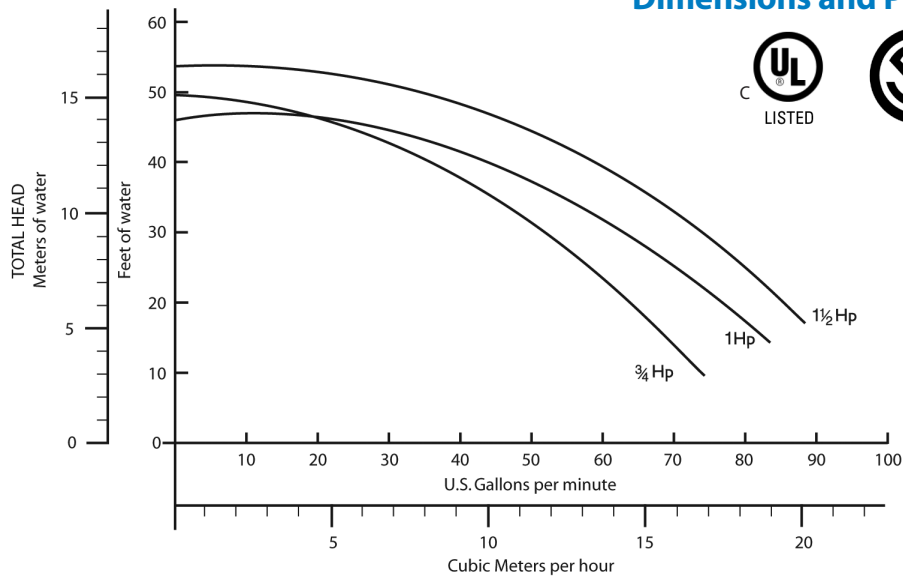
For Aboveground Pools



Product	Discharge	Voltage	Full Load Amps	HP	Cord Length (Ft.)	Full Pipe Size	Carton Wt. (Lbs.)
CSA WITH 25 FOOT CORD							
347993	Horizontal	115	9.2	3/4	25 ft. STD	1-1/2 in.	20
347996	Vertical	115	9.4	3/4	25 ft. STD	1-1/2 in.	20
347994	Horizontal	115	12.0	1	25 ft. STD	1-1/2 in.	22
347997	Vertical	115	12.0	1	25 ft. STD	1-1/2 in.	22
347995	Horizontal	115/230	16.0	1-1/2	25 ft. STD	1-1/2 in.	24
347998	Vertical	115/230	16.0	1-1/2	25 ft. STD	1-1/2 in.	24
60 Hz MOTORS WITHOUT CORD AND SWITCH							
340088	Vertical	230	4.6	3/4	N/A	1-1/2 in.	20
340089	Vertical	230	6.0	1	N/A	1-1/2 in.	22
340090	Vertical	230	8.0	1-1/2	N/A	1-1/2 in.	24
50 Hz MOTORS WITHOUT CORD AND SWITCH							
340056	Vertical	230	5.0	3/4	N/A	1-1/2 in.	20
340057	Vertical	230	6.2	1	N/A	1-1/2 in.	22
340058	Vertical	230	7.8	1-1/2	N/A	1-1/2 in.	24

Note: TWL = Twist Lock Cord, STD = Standard Cord

Dimensions and Performance



See page 506 for replacement parts.