

# Dynamo® Pumps

## For Aboveground Pools



Dynamo Pump With Cord

### Featured Highlights

- Self-priming design ensures long life
- Reinforced fiberglass for strength and durability
- Large capacity basket with see-thru lid
- Diffuser and impeller for excellent flow rates
- Easy access drain plugs

All components designed for maximum performance and economy in an aboveground swimming pool pump.

### Ordering Information

Product	Model	Voltage	Full Load Amps	HP	Cord Length (Ft.)	Full Pipe Size	Carton Wt. (Lbs.)
<b>SINGLE-SPEED WITH CORD</b>							
340194	DYNII-N1- 3/4 HP	115V Only	9.2	3/4	3 ft. STD	1-1/2 in.	24
340314	DYNII-N1- 3/4 HP	115V Only	9.2	3/4	3 ft. TWL	1-1/2 in.	24
340197	DYNII-N1-1 HP	115V Only	12.0	1	3 ft. STD	1-1/2 in.	26
340210	DYNII-N1-1-1/2 HP	115V Only	12.0	1-1/2	3 ft. STD	1-1/2 in.	26
340316	DYNII-N1-1 HP	115V Only	12.0	1	3 ft. TWL	1-1/2 in.	26
340219	DYNII-N1-2 HP	115V Only	16.0	2	3 ft. STD	1-1/2 in.	30
<b>SINGLE-SPEED WITH CORD, BASE, AND ON/OFF SWITCH</b>							
340288	DYNII-N1- 3/4 HP	115V Only	9.2	3/4	25 ft. STD	1-1/2 in.	29
340289	DYNII-N1-1 HP	115V Only	12.0	1	25 ft. STD	1-1/2 in.	31
340290	DYNII-N1-1-1/2 HP	115V/230V	16.0	1-1/2	25 ft. STD	1-1/2 in.	33
<b>ONE-SPEED WITHOUT CORD</b>							
340103	DYNII-N1- 3/4 HP	115V Only	9.2	3/4	N/A	1-1/2 in.	25
340104	DYNII-N1-1 HP	115V Only	12.0	1	N/A	1-1/2 in.	26
340106	DYNII-N1 1-1/2 HP	115/230V	16.0/8.0	1-1/2	N/A	1-1/2 in.	31
<b>TWO-SPEED WITHOUT CORD</b>							
340203	DYNII-N2- 3/4 HP	115V Only	8.8/2.6	3/4	N/A	1-1/2 in.	25
340204	DYNII-N2 1 HP	115V Only	11.0/2.9	1	N/A	1-1/2 in.	28
340206	DYNII-N2 1-1/2 HP	115V Only	16.4/4.4	1-1/2	N/A	1-1/2 in.	30
<b>TWO-SPEED WITH CORD</b>							
340060	DYNII-N2 - 1 HP	115V Only	11.0/2.9	1	3 ft. STD	1-1/2 in.	28
340062	DYNII-N2 - 1 HP	115V Only	11.0/2.9	1	3 ft. TWL	1-1/2 in.	28
340400	DYNII-N2 - 1 1/2 HP	115V Only	11.0/2.9	1-1/2	3 ft. STD	1-1/2 in.	28
340064	DYNII-N2 - 1 1/2 HP	115V Only	11.0/2.9	1-1/2	3 ft. TWL	1-1/2 in.	28
340542	DYNII-N2-1-1/2HP	115V Only	16.4/4.4	1-1/2	3 ft. TWL	1-1/2 in.	31
<b>ACCESSORIES</b>							
354113	Chemical Resistant Lid						

Note: TWL = Twist Lock Cord, STD = Standard Cord

# Dynamo® Pumps

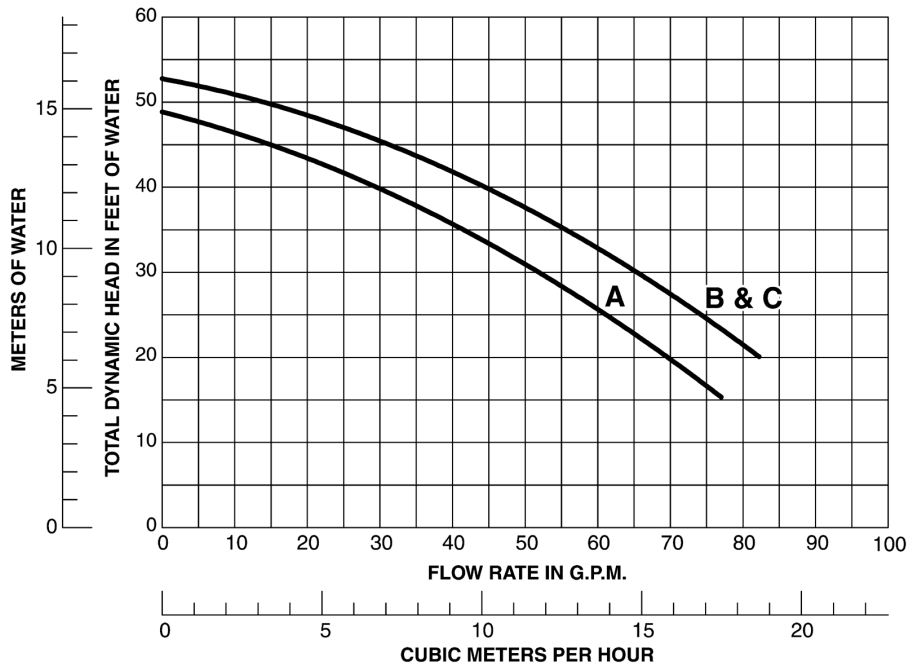
## For Aboveground Pools



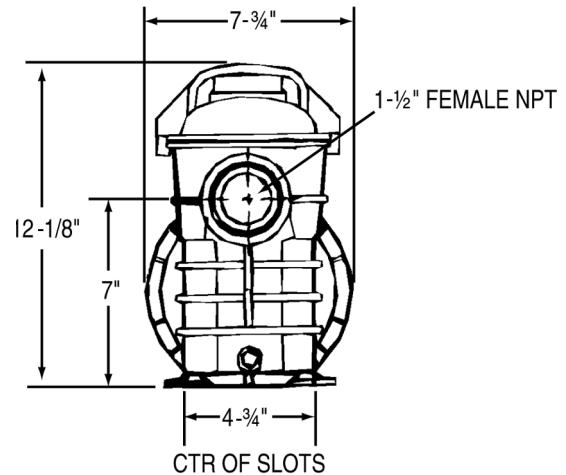
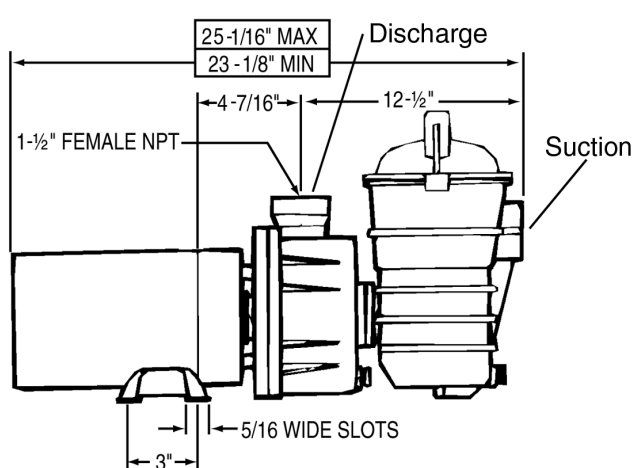
### Dimensions and Performance



### PUMP PERFORMANCE CURVE DYNAMO PUMPS



A = 3/4 HP, B = 1 HP, C = 1 1/2 HP



See page 507 for replacement parts.