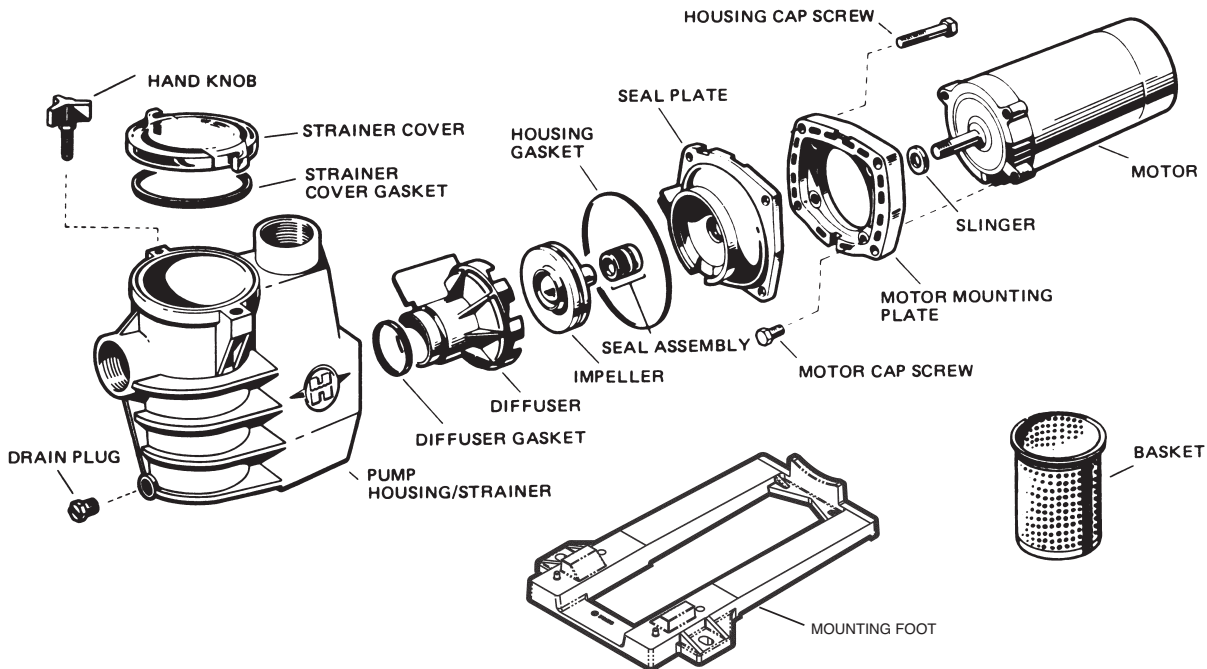




# Max-Flo™

## SP1800X PUMP SERIES (MAX-RATED) REPLACEMENT PARTS

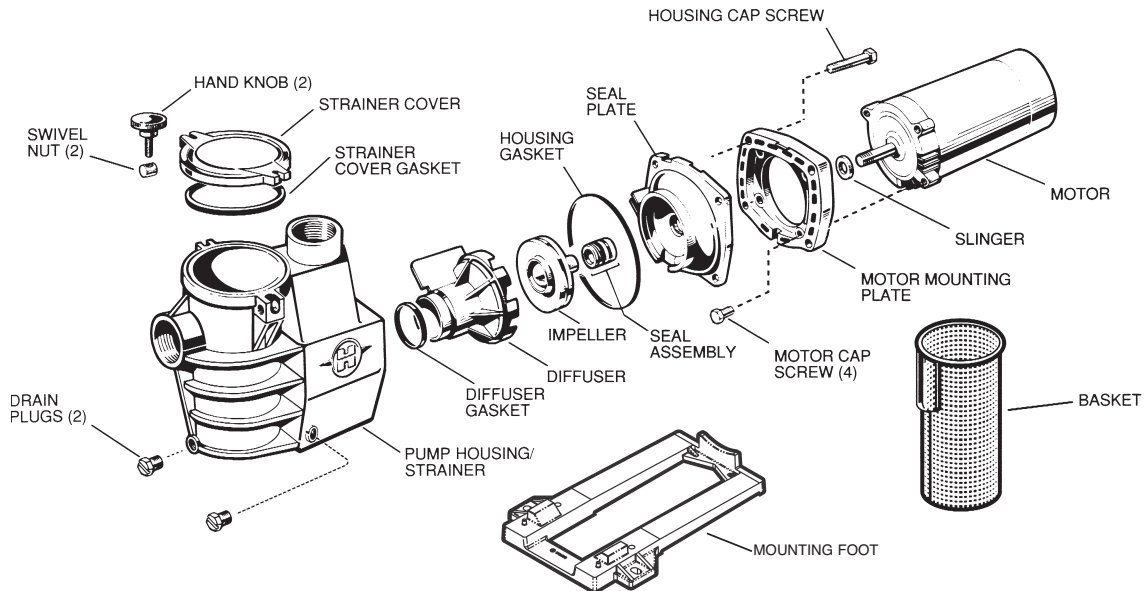
### Parts for Pump Models: SP1800X5, 1805X7, 1807X10, 1808X10, 1810X15, 1811X15



Part No.	Description	Ctn.	Qty.
SPX2800AAC	Complete Housing Conversion Kit. Includes housing, strainer cover and gasket, basket, round hand knobs (2), and swivel nuts (2)	1	
SPX1600T	Housing Gasket	10	
SPX1600R	Diffuser Gasket	10	
SPX1600TRA	Seal Assembly Kit (Includes Seal Assembly, Diffuser and Housing Gaskets)	10	
SPX1250LA	Strainer Cover, clear with Gasket	10	
SPX1250LAB	Strainer Cover, with Gasket for Biguanide Sanitizers <b>NOT</b> Pressure testable	10	
SPX0125T	Strainer Cover Gasket	10	
SPX1250RA	Basket	1	
SPX1250Z4	Hand Knob	10	
SPX1600V	1/4" Drain Plug (1991 and Prior)	25	
SPX1700FG	1/4" Drain Plug with Gasket	10	
SPX2600G1	Mounting Foot with Adapter and Screws	10	
SPX1600Z52	Mounting Foot Cap Screw ( <i>Set of 2 – 2 Sets Required</i> )	1	
SPX1600Z2	Seal Assembly	10	
SPX1600F5	Motor Mounting Plate	2	
SPX1600Z4	Housing Cap Screw	10	
SPX0125Z44	Motor Cap Screw ( <i>Set of 4</i> )	1	
SPX0125F	Slinger	10	
<b>Med. Hd.</b>	<b>High Hd.</b>	<b>Parts listed below must be ordered for specific model &amp; H.P.:</b>	
SPX2800CKIT*	—	1/2 H.P. Drive Train Upgrade	1
SPX2805CKIT*	—	3/4 H.P. Drive Train Upgrade	1
SPX2807CKIT*	—	1 H.P. Drive Train Upgrade	1
SPX2810CKIT*	—	1 1/2 H.P. Drive Train Upgrade	1
SPX2815CKIT*	—	2 H.P. Drive Train Upgrade	1
(All above kits include: Impeller, Diffuser, Seal Plate, Housing Gasket, Diffuser Gasket and Motor Mounting Plate)			
—	SPX1600SKIT2	Seal Plate – 1/2, 3/4, 1, 1 1/2, 2 H.P.	10
SPX1600Z1M		Motor, 1/2 H.P., Threaded Shaft (Single Phase, 60 Cycle 115V)	1
SPX1605Z1M		Motor, 3/4 H.P., Threaded Shaft (Single Phase, 60 Cycle 115/230V)	1
SPX1607Z1M		Motor, 1 H.P., Threaded Shaft (Single Phase, 60 Cycle 115/230V)	1
SPX1610Z1M		Motor, 1 1/2 H.P., Threaded Shaft (Single Phase, 60 Cycle 115/230V)	1

**NOTES:** \*For pumps with an "SP1800X—" part number (manufactured before 1983), the use of these new kits (SPX2800CKIT – SPX2815CKIT) will upgrade the old pump to our current "SP2800X—" series. This will improve GPM, reduce noise and provide slightly better energy efficiencies. All individual components included in kits are not available.

### Parts for Pump Models: SP2800X5, SP2805X7, SP2807X10, SP2810X15, SP2815X20



Part No.	Description	Ctn.	Qty.
SPX2800AA*	Pump Housing/Stainer accepts Swing Away Knobs, 1 1/2" x 1 1/2", with Drain Plugs (1995 and Prior)	1	
SPX1250LA	Strainer Cover, clear with Gasket (Fits All Models)	10	
SPX1250LAB	Strainer Cover, with Gasket for Biguanide Sanitizers <b>NOT</b> Pressure testable	10	
SPX0125T	Strainer Cover Gasket	10	
SPX1250RA	Basket (1994 and Prior)	10	
SPX2800M	Basket (1995)	10	
SPX1250Z4	Hand Knob, Three Pointed (1994 and Prior)	10	
SPX1600PN	Hand Knob Kit (1995, Includes Swivel Nut and Hand Knob)	10	
SPX1600T	Housing Gasket	10	
SPX1600R	Diffuser Gasket	10	
SPX1600TRA	Seal Assembly Kit (Includes Seal Assembly, Housing and Diffuser Gaskets)	10	
SPX1600V	1/4" Drain Plug (1991 and Prior)	25	
SPX1700FG	1/4" Drain Plug with Gasket	10	
SPX2600G1	Mounting Foot with Adapter and Screws	10	
SPX1600Z52	Mounting Foot Cap Screw (Set of 2 – 1995 and Prior, 2 sets required)	1	
SPX1600Z2	Seal Assembly	10	
SPX1600F5	Motor Mounting Plate	2	
SPX1600Z4	Housing Cap Screw	10	
SPX0125Z44	Motor Cap Screw (Set of 4)	1	
SPX0125F	Slinger	10	
SPX2800B	Diffuser, for all H.P.'s	1	
SPX2600E5	Seal Plate	1	

#### Housing Conversion Kit —To Swing Away Knob Style

SPX2800AAC*	Complete Housing Conversion Kit. Includes housing, strainer cover and gasket, basket, round hand knobs (2), and swivel nuts (2).	1	
-------------	--	---	--

#### Parts listed below must be ordered for specific model & H.P.:

SPX2600C	Impeller, for 1/2 H.P. Max Rated	10	
SPX2605C	Impeller, for 3/4 H.P. Max Rated	10	
SPX2607C	Impeller, for 1 H.P. Max Rated	10	
SPX2610C	Impeller, for 1 1/2 H.P. Max Rated	10	
SPX2615C	Impeller, for 2 H.P. Max Rated	1	
SPX1600Z1M	Motor, 1/2 H.P., Threaded Shaft (Single Phase, 60 Cycle 115V)	1	
SPX1605Z1M	Motor, 3/4 H.P., Threaded Shaft (Single Phase, 60 Cycle 115/230V)	1	
SPX1607Z1M	Motor, 1 H.P., Threaded Shaft (Single Phase, 60 Cycle 115/230V)	1	
SPX1610Z1M	Motor, 1 1/2 H.P., Threaded Shaft (Single Phase, 60 Cycle 115/230V)	1	
SPX1615Z1M	Motor, 2 H.P., Threaded Shaft (Single Phase, 60 Cycle 115/230V)	1	
SPX1610Z2M	Motor, 1 1/2 H.P., Threaded Shaft, Two-speed (Single Phase, 60 Cycle, 230V)	1	

**NOTE:** \*SP2800AAC is a complete substitute for SPX2800AA.