

# Max-E-ProXF™ High Performance Pumps

## Energy-Efficient Swimming Pool Pumps



Developed using advanced engineering tools available - CFD (Computational Fluid Dynamics) and FEA (Finite Element Analysis). The impeller design delivers high level of precision concentricity for increased efficiency.

### Featured Highlights

- Drop-in replacement for all Max-E-Pro models. Simple replacement for Challenger® pumps.\*
- Hydraulic isolator separates priming water from pumping water for faster priming, more turbulent-free flow and increased efficiency.
- Dual-compartment motor for simplified field wiring.
- Union connectors included for connecting directly to 2.5" or 3" plumbing.
- Diamond seals made of oxidation-resistant, self-retaining EPDM rubber for increased durability and tighter seal.
- Extra large, robust basket with smooth surface for easy debris removal.
- Easy-carry handle; easily removable ergonomic lock ring; and see-through lid for easy basket inspection.

\* Optional riser base for Challenger replacements. Part # 400012 available separately.

### Ordering Information

Product	Model	Voltage	Full Load Amps	HP	SF	SFHP	Primary Listings and Certifications <sup>3</sup>	Port Size (NPT)	Carton Wt. (Lbs.)	Curve Key
<b>ENERGY EFFICIENT SINGLE SPEED FULL RATED</b>										
023010	XPE-12	208V-230V	15.0/13.6	3	1.15	3.45	UL <sup>1</sup> , NSF <sup>2</sup>	2.5 in. x 2.5 in. OR 3 in. x 3 in.	60	B
<b>STANDARD EFFICIENT SINGLE SPEED UP RATED</b>										
023013	XP-12	208V-230V	14.15	3	1.15	3.45	UL <sup>1</sup> , NSF <sup>2</sup>	2.5 in. x 2.5 in. OR 3 in. x 3 in.	60	C
<b>ENERGY EFFICIENT SINGLE SPEED FULL RATED</b>										
023011	XPE-20	208V-230V	22.0	5	1	5	UL <sup>1</sup> , NSF <sup>2</sup>	2.5 in. x 2.5 in. OR 3 in. x 3 in.	60	A
<b>STANDARD EFFICIENT TWO-SPEED FULL RATED</b>										
023008	XPDS-12	208V-230V	15.0/2.6	3	1.3	3.9	UL <sup>1</sup> , NSF <sup>2</sup>	2.5 in. x 2.5 in. OR 3 in. x 3 in.	60	D, E

<sup>1</sup> 'UL' indicates that pump bears a UL mark signifying evaluation to U.S. Standards UL1081 for Permanently Connected Swimming Pool and Spa Pumps and to Canadian Standards CAN/CSA C22.2 No. 108-01 Liquid Pumps For Swimming Pools Only (Enclosure 3).

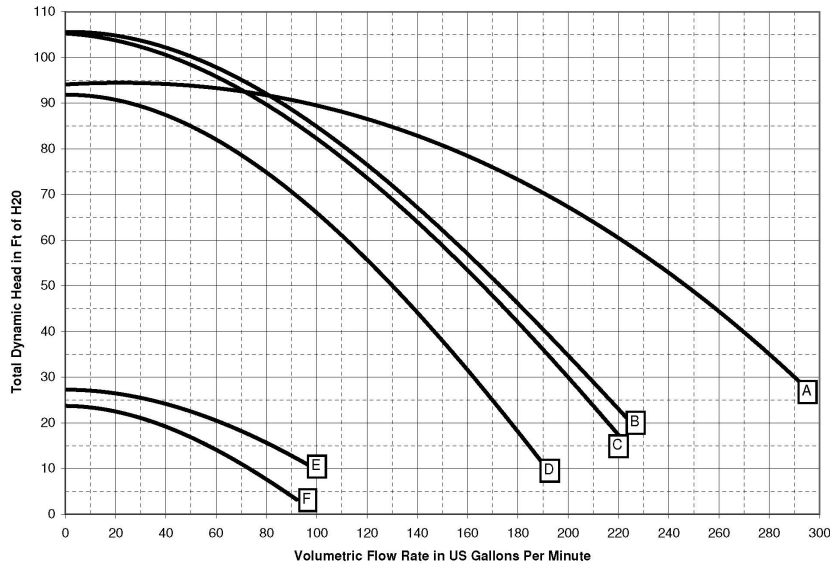
<sup>2</sup> 'NSF' indicates that pump bears a NSF mark signifying evaluation to NSF Standard 50 For Self-Priming Centrifugal Pumps For Swimming Pools, Spas and Hot Tubs.

<sup>3</sup> Product may have been evaluated to other state and local regulatory standards. Listing status may change. Always confirm status with appropriate agency if in doubt.

# Max-E-ProXF™ High Performance Pumps (Cont'd)

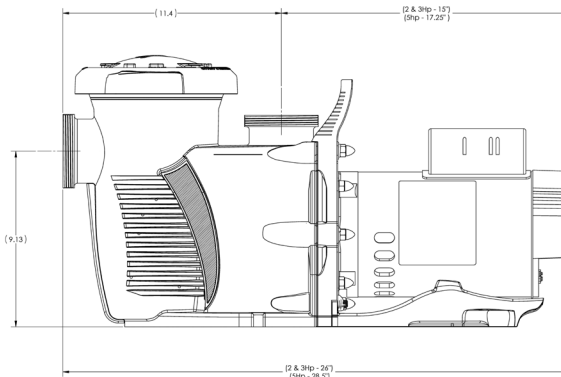
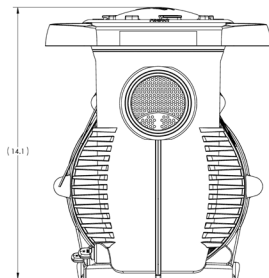
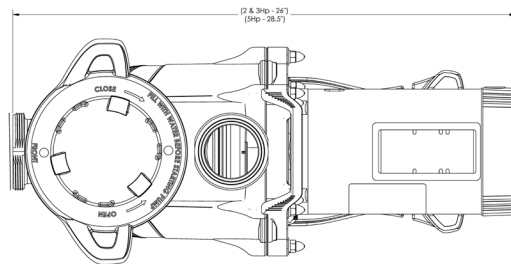
## Dimensions and Performance

Max-E-Pro XF Performance Curves



### Max-E-Pro XF Performance Curve

XPE-20	A
XPJ-20	A
XPK-20	A
XPE-12	B
XP-12	C
XPDS-12	B, E
XPJ-12	B
XPK-12	B
XPE-8	D
XP-8	D
XPDS-8	D, F
XPE-30	D
XP-30	D
XPDS-30	D, F
XPJ-8	D
XPK-8	D



See page 492–493 for replacement parts.