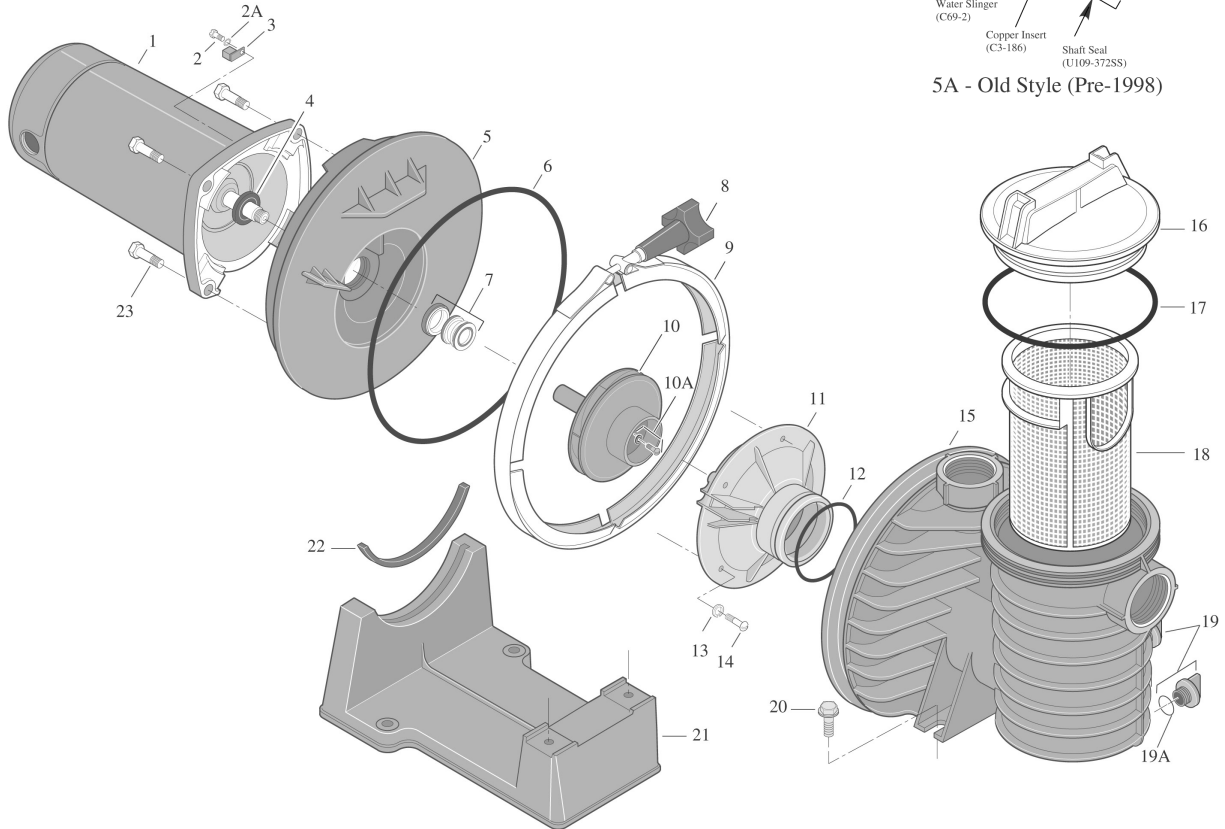


Max-E-Glas® II / Dura-Glas® II Series

"Up-Rate" Models - Replacement Parts



POINT-OF-SALE, STOCK ROOM, SERVICE VEHICLE

Attractive, clamshell packaging contains recommended parts for seal/gasket servicing or complete overhaul of most swimming pool/spa pumps. Eliminate the need for large parts inventories, protect parts from damage, and reduce paperwork.

SEAL/GASKET KITS - Include Shaft Seal, Gaskets, and O-Rings

Pump Series	Parts Pak #
P4E, P4EA, P4R, P4RA (Models with copper insert pre 1998)	PP4000
P4E, P4EA, P4R, P4RA (Models without copper insert 1998)	PP4200

OVERHAUL KITS - Include Impeller, Shaft Seals, Gaskets, O-Rings, Diffuser, Diffuser Screws and other appropriate hardware.

Pump Series	HP	Parts Pak #
P4EA, P4RA	1	PP4010
P4EA, P4RA	1-1/2	PP4011
P4EA, P4RA	2	PP4012
P4EA, P4RA	2-1/2	PP4013

Max-E-Glas® II / Dura-Glas® II Series (Cont'd)

"Up-Rate" Models - Replacement Parts



Parts are common to all models except as noted:
Part Nos. 1, Motor; Pump Models without Copper Insert;
and 10, Impeller, are listed below.

Model No.	Pumps with Copper Insert	HP	Motor No. (Key No. 1)	Impeller No. (Key No. 7)
MAX-E-GLAS II				
115/230 Volt				
P4EA6E-186L	(-150L)	1	AE100ELL	C105-238P
P4EA6F-187L	(-151L)	1-1/2	AE100FLL	C105-238PB
230 Volt				
P4EAA6F-198L	(-177L)	1-3/4	AE100F5LL	C105-238PDCA
P4EA6G-188L ⁵	(-152L)	2	AE100GLL	C105-238PDBA
P4EAA6G-189L ⁵	(-153L)	2-1/2	AE100G5LL	C105-238PEBA
DURA-GLAS II				
115/230 Volt				
P4RA6E-186L		1	A100ELL	C105-238P
P4RA6F-187L	(-151L)	1-1/2	A100FLL	C105-238PB
230 Volt				
P4EAA6F-198L	(-177L)	1-3/4	AE100F5LL	C105-238PDCA
P4RA6G-188L ⁵	(-152L)	2	A100GLL	C105-238PDBA
P4RAA6G-189L ⁵	(-153L)	2-1/2	AE100G5LL	C105-238PEBA
230 Volt - 2 Speed				
P4RA6YF-187L ⁵	(-151L)	1-1/2	A100FLL-Y	C105-238PBA
P4RA6YG-188L ⁵	(-152L)	2	AE100GLL-Y	C105-238PDBA

Item	Part No.	Description	US List	Can. List
MAX-E-GLAS II / DURA-GLAS II SERIES REPLACEMENT PARTS				
1	See Table	Motor	CALL	CALL
2	U30-692SS	Screw, 10-32 x 1/2 in.	1.82	1.87
2A	U43-225S	Lockwasher	1.63	1.68
3	U17-568	Bonding Lug	9.30	9.58
4	17351-0009	Water Slinger ⁴	1.60	1.65
5	C203-194P	Seal Plate Kit ^{1,3}	142.96	147.25
6	U9-228A	O-Ring	8.33	8.58
7	37400-0027S	Shaft Seal, Buna ²	24.71	25.45
7	37400-0028S	Shaft Seal, Viton	33.13	34.12
8	WC36-22	Clamp Knob	10.94	11.27
9	C19-37A	Clamp	89.06	91.73
10	See Table	Impeller	CALL	CALL
10A	37337-6081	Impeller Screw (Model C105-238PBA)	19.21	19.79
10A	37337-6080	Impeller Screw (All models except C105-238PBA)	16.45	16.94
11	C1-271P1	Diffuser - 3/4 HP & 1 HP	27.27	28.09
11	C1-271P	Diffuser - 1-1/2 thru 3 HP	26.34	27.13
12	U9-374	Diffuser O-Ring	4.82	4.96
13	U43-215S	Lockwasher, #8	1.49	1.53
14	U30-542SS	Diffuser Screw, 3/4 HP & 1 HP	1.92	1.98
14	U30-922SS	Diffuser Screw, 1-1/2, thru 3 HP	0.92	0.95
15	C176-59P	Tank Body Assembly (includes Trap Cover, O-Ring, Basket)	240.62	247.84
16	C3-185P	Trap Cover	52.54	54.12
16	C3-185P3	Trap Cover - (Biguanide Resistant)	69.85	71.95
17	U9-375	Trap Cover O-Ring	14.24	14.67
18	C8-58P	Basket	11.77	12.12
19	U178-920P	Drain Plug 1/4 in. NPT with O-Ring	2.84	2.93
19A	U9-359	Drain Plug O-Ring	CALL	CALL
20	U30-918SS	Screw, Base	4.34	4.47
21	C4-78P	Base without Motor Pad	38.75	39.91
21	C104-79P	Base with Motor Pad (3 HP only)	39.66	40.85
22	C35-43	Motor Pad	4.64	4.78
23	U30-745S	Capscrew, 3/8-16 x 1 in.	3.75	3.86
23	U30-995S	Capscrew, Socket Head, 3/8-16 x 1 in. (3 HP only)	7.47	7.69
NOT SHOWN				
	35505-1426	Impeller O-Ring	0.92	0.95

¹ Includes Seal Plate, Shaft Seal and Seal Plate O-Ring.

² Replaces U109-358SS (effective 6/00).

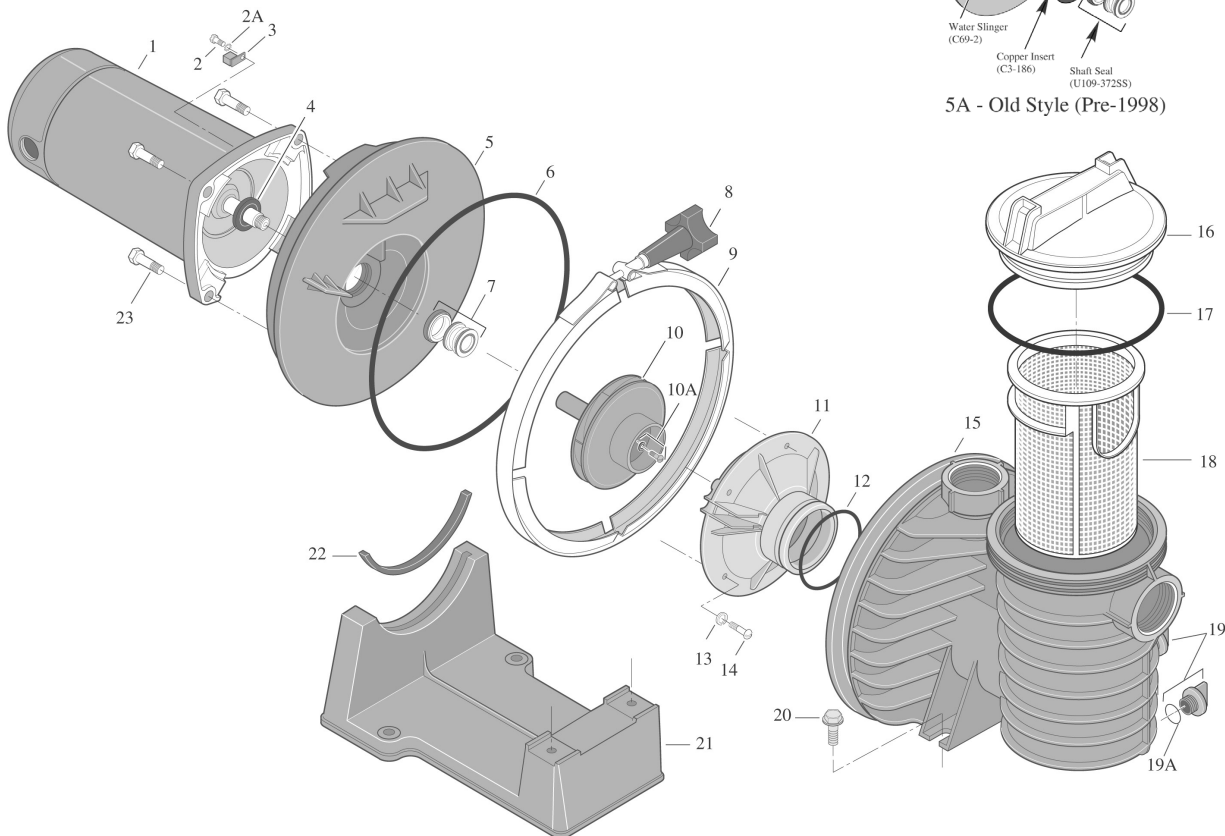
³ New Seal Plate design. See inset drawing on opposite page for models with Copper Insert, see Figure 5A.

⁴ Replaces C69-2 (effective 9/00).

⁵ Requires one Impeller Screw.

Max-E-Glas® II / Dura-Glas® II Series

"Full Rate" Models - Replacement Parts



POINT-OF-SALE, STOCK ROOM, SERVICE VEHICLE

Attractive, clamshell packaging contains recommended parts for seal/gasket servicing or complete overhaul of most swimming pool/spa pumps. Eliminate the need for large parts inventories, protect parts from damage, and reduce paperwork.

SEAL/GASKET KITS - Include Shaft Seal, Gaskets, and O-Rings

Pump Series	Parts Pak #
P4E, P4EA, P4R, P4RA (Models with copper insert pre 1998)	PP4000
P4E, P4EA, P4R, P4RA (Models without copper insert 1998)	PP4200

OVERHAUL KITS - Include Impeller, Shaft Seals, Gaskets, O-Rings, Diffuser, Diffuser Screws and other appropriate hardware.

Pump Series	HP	Parts Pak #
P4E, P4R	3/4	PP4010
P4E, P4R	1	PP4011
P4E, P4R	1-1/2	PP4012
P4E, P4R	2	PP4013
P4E, P4R	3	PP4014

Max-E-Glas® II / Dura-Glas® II Series (Cont'd)

"Full Rate" Models - Replacement Parts



Parts are common to all models except as noted:
Part Nos. 1, Motor; and 10, Impeller, are listed below.

Model No.	Pumps with Copper Insert	HP	Motor No. (Key No. 1)	Impeller No. (Key No. 7)
MAX-E-GLAS II				
115/230 Volt				
P4E6D-186L	(-150L)	3/4	AE100DHL	C105-238P
P4E6E-187L	(-151L)	1	AE100EHL	C105-238PB
230 Volt				
P4E6F-188L ⁵	(-152L)	1-1/2	AE100FHL	C105-238PDBA
P4E6G-189L ⁵	(-153L)	2	AE100GHL	C105-238PEBA
P4E6H-190L ⁵	(-154L)	3	AE100HHL	C105-238PLA
200 Volt				
P4E6D-186L	(-150L)	3/4	AE100DH2	C105-238P
P4E6E-187L	(-151L)	1	AE100EH2	C105-238PB
P4E6F-188L ⁵	(-152L)	1-1/2	AE100FH2	C105-238PDBA
P4E6G-189L ⁵	(-153L)	2	AE100GH2	C105-238PEBA
P4E6H-190L ⁵	(-154L)	3	AE100HL2	C105-238PLA
DURA-GLAS II				
115/230 Volt				
P4R6E-187L	(-151L)	1	A100EHL	C105-238PB
230 Volt				
P4R6F-188L ⁵	(-152L)	1-1/2	A100FHL	C105-238PDBA
P4R6G-189L		2	AE100GHL	C105-238PEBA
200/400 Volt - 3 Phase				
P4R6D3-186L ⁵	(-150)	3/4	AP100DH2	C105-238PA
P4R6E3-187 ⁵	(-151)	1	AP100EH2	C105-238PBA
P4R6F3-188 ⁵	(-152)	1-1/2	AP100FH2	C105-238PDBA
P4R6G3-189 ⁵	(-153)	2	AP100GH2	C105-238PEBA
208-230/460 Volt - 3 Phase				
P4R6D3-186 ⁵	(-150)	3/4	AP100DH	C105-238PA
P4R6E3-187 ⁵	(-151)	1	AP100EH	C105-238PBA
P4R6F3-188 ⁵	(-152)	1-1/2	AP100FH	C105-238PDBA
P4R6G3-189 ⁵	(-153)	2	AP100GH	C105-238PEBA
200/230/460 Volt - 3 Phase				
P4R6H3-190 ⁵	(-154)	3	AP100HL	C105-238PLA

Item	Part No.	Description	US List	Can. List
MAX-E-GLAS II / DURA-GLAS II SERIES REPLACEMENT PARTS				
1	See Table	Motor	CALL	CALL
2	U30-692SS	Screw, 10-32 x 1/2 in.	1.82	1.87
2A	U43-22SS	Lockwasher	1.63	1.68
3	U17-568	Bonding Lug	9.30	9.58
4	17351-0009	Water Slinger ⁴	1.60	1.65
5	C203-194P	Seal Plate Kit ^{1,3}	142.96	147.25
6	U9-228A	O-Ring	8.33	8.58
7	37400-0027S	Shaft Seal, Buna ²	24.71	25.45
7	37400-0028S	Shaft Seal, Viton	33.13	34.12
8	WC36-22	Clamp Knob	10.94	11.27
9	C19-37A	Clamp	89.06	91.73
10	See Table	Impeller	CALL	CALL
10A	37337-6081	Impeller Screw (Model C105-238PBA)	19.21	19.79
10A	37337-6080	Impeller Screw (All models except C105-238PBA)	16.45	16.94
11	C1-271P1	Diffuser - 1 HP & 1-1/2 HP	27.27	28.09
11	C1-271P	Diffuser - 1-3/4 thru 2-1/2 HP	26.34	27.13
12	U9-374	Diffuser O-Ring	4.82	4.96
13	U43-21SS	Lockwasher, #8	1.49	1.53
14	U30-542SS	Diffuser Screw, 3/4 HP & 1 HP	1.92	1.98
14	U30-922SS	Diffuser Screw, 1-1/2, thru 3 HP	0.92	0.95
15	C176-59P	Tank Body Assembly (includes Trap Cover, O-Ring, Basket)	240.62	247.84
16	C3-185P	Trap Cover	52.54	54.12
16	C3-185P3	Trap Cover - (Biguanide Resistant)	69.85	71.95
17	U9-375	Trap Cover O-Ring	14.24	14.67
18	C8-58P	Basket	11.77	12.12
19	U178-920P	Drain Plug 1/4 in. NPT with O-Ring	2.84	2.93
19A	U9-359	Drain Plug O-Ring	CALL	CALL
20	U30-918SS	Screw, Base	4.34	4.47
21	C4-78P	Base without Motor Pad	38.75	39.91
21	C104-79P	Base with Motor Pad (3 HP only)	39.66	40.85
22	C35-43	Motor Pad	4.64	4.78
23	U30-74SS	Capscrew, 3/8-16 x 1 in.	3.75	3.86
23	U30-99SS	Capscrew, Socket Head, 3/8-16 x 1 in. (3 HP only)	7.47	7.69
NOT SHOWN				
	35505-1426	Impeller O-Ring	0.92	0.95

¹ Includes Seal Plate, Shaft Seal and Seal Plate O-Ring.

² Replaces U109-358SS (effective 6/00).

³ New Seal Plate design. See inset drawing on opposite page for models with Copper Insert, see Figure 5A.

⁴ Replaces C69-2 (effective 9/00).

⁵ Requires one Impeller Screw. See Repair Parts list.