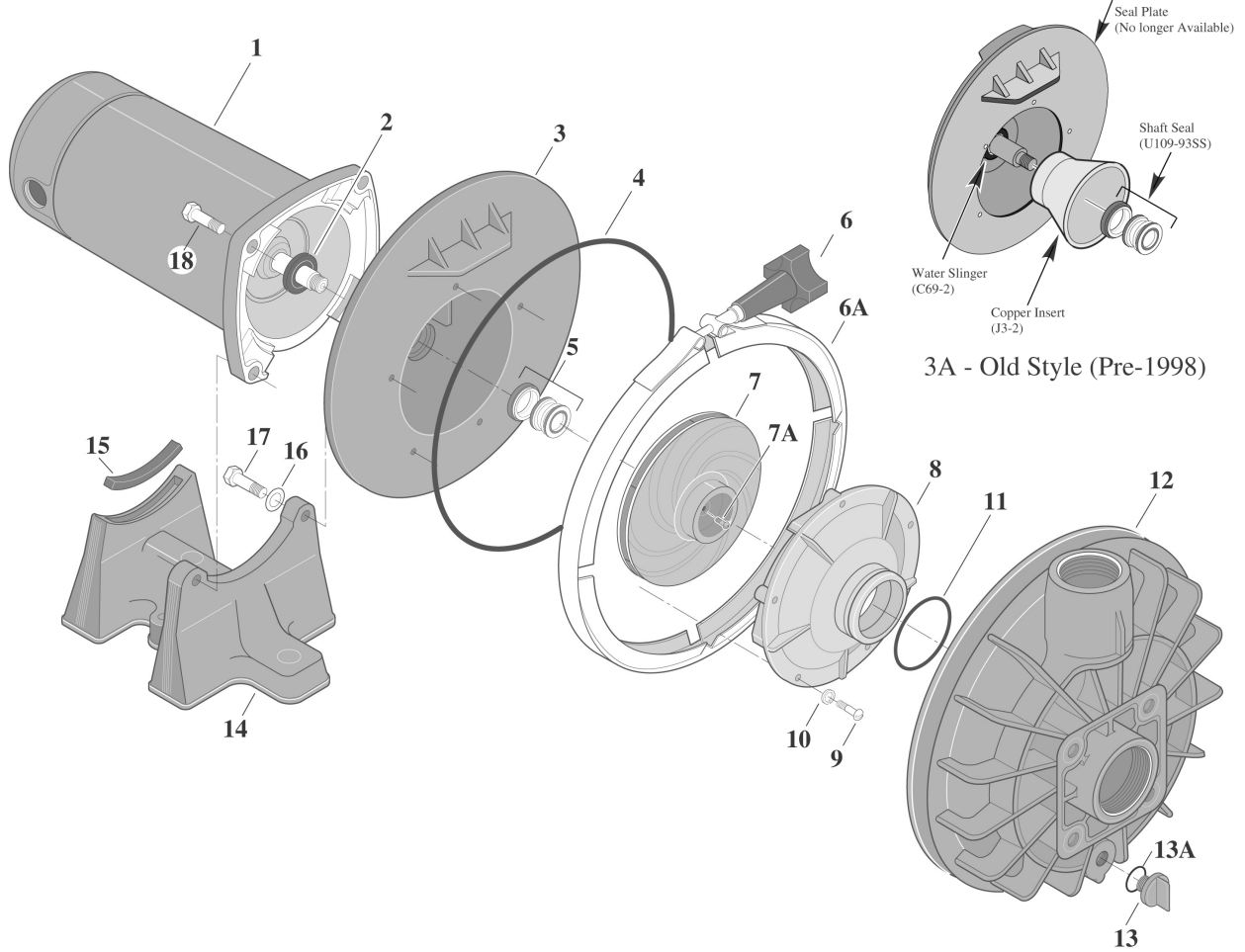


Max-E-Glas® / Dura-Glas® Series

"Full Rate" Models - Replacement Parts



3A - Old Style (Pre-1998)

POINT-OF-SALE, STOCK ROOM, SERVICE VEHICLE

Attractive, clamshell packaging contains recommended parts for seal/gasket servicing or complete overhaul of most swimming pool/spa pumps. Eliminate the need for large parts inventories, protect parts from damage, and reduce paperwork.

SEAL/GASKET KITS - Include Shaft Seal, Gaskets, and O-Rings

Pump Series	Parts Pak #
PE, PEA, PR, PRA, P2R, P2RA (Models with copper insert pre 1998)	PP1000
PE, PEA, PR, PRA, P2R, P2RA (Models without copper insert 1998)	PP1200

OVERHAUL KITS - Include Impeller, Shaft Seals, Gaskets, O-Rings, Diffuser, Diffuser Screws and other appropriate hardware.

Pump Series	HP	Parts Pak #
PE, P2R	1/3	PP1010
PE, P2R	1/2	PP1011
PE, P2R	3/4	PP1014
PE, P2R	1	PP1016
PE, P2R	1-1/2	PP1018
PE, P2R	2	PP1017
PE, P2R	3	PP1019

Max-E-Glas® / Dura-Glas® Series (Cont'd)

"Full Rate" Models - Replacement Parts



Parts are common to all models except as noted:
Part Nos. 1, Motor; and 7, Impeller, are listed below.

Model No.	Pumps with Copper Insert	HP	Motor No. (Key No. 1)	Impeller No. (Key No. 7)
MAX-E-GLAS				
115/230 Volt				
PE5C-180L	(-120L)	1/2	AE100CHL	C105-92PS
PE6C-120L		1/2	AE100CHL	C105-92PS
PE5D-181L	(-124L)	3/4	AE100DHL	C105-138PEB
PE6D-124L		3/4	AE100DHL	C105-138PEB
PE6E-182L	(-125L)	1	AE100EHL	C105-137PEB
230 Volt				
PE5F-126L ⁵		1-1/2	AE100FHL	C105-137PDBA
PE6F-183L ⁵	(-126L)	1-1/2	AE100FHL	C105-137PDBA
PE5G-122L ⁵		2	AE100GHL	C105-137PDA
PE6G-184L ⁵	(-122L)	2	AE100GHL	C105-137PDA
PE6H-185L ⁵	(-139L)	3	AE100HHL	C105-137PKBA
PE6H-139LC ⁵		3	AE100HHL	C105-137PKBA
100/200 Volt				
PE52C-180L	(-120)	1/2	AE100CH2	C105-92PS
PE52D-181L	(-124)	3/4	AE100DH2	C105-138PEB
PE52E-182L	(-125)	1	AE100EH2	C105-137PEB
PE52F-183L ⁵	(-126)	1-1/2	AE100FH2	C105-137PDBA
PE52G-184	(-122)	2	AE100GH2	C105-137PDA
230 Volt				
PE52G-185 ⁵	(-122)	2	AE100GH2	C105-137PDA
PE62H-139 ⁵		3	AE100HL2	C105-137PKBA
200/230/460 Volt - 3 Phase				
PE6H3-185 ⁵	(-139)	3	AP100HL	C105-137PKBA
DURA-GLAS				
115 Volt - 2 Speed				
P2R5YD-133L		3/4-1/8	A100D5HL-Y	C105-138PEB
P2R5YE-133L		1	A100ESLL-Y	C105-137PEB
115/230 Volt				
P2R5C-180L	(-120L)	1/2	A100CHL	C105-92PS
P2R5D-181L	(-124L)	3/4	A100DHL	C105-138PEB
P2R5E-182L	(-125L)	1	A100EHL	C105-137PEB
115/230 Volt				
P2R5F-126L ⁵		1-1/2	A100FLL	C105-137PDBA
230 Volt - 2 Speed				
P2R5YD-124L		3/4-1/8	NLA	C105-138PEB
P2R5YE-125L		1-1/8	NLA	C105-137PEB
P2R5YF-126L ⁵		1-1/2-1/4	NLA	C105-137-PDBA
200/400 Volt - 3 Phase				
P2R52D3-181 ⁵	(-124)	3/4	AP100DH2	C105-138PEBA
P2R52E3-181 ⁵	(-125)	1	AP100EH2	C105-137PEBA
P2R52F3-183 ⁵	(-126)	1-1/2	AP100FH2	C105-137PDBA
P2R52G3-184 ⁵	(-122)	2	AP100GH2	C105-137PDA
230/460 Volt - 3 Phase				
P2R5D3-181 ⁵	(-124)	3/4	AP100DH	C105-138PEBA
P2R5E3-182 ⁵	(-125)	1	AP100EH	C105-137PEBA
P2R5F3-183 ⁵	(-126)	1-1/2	AP100FH	C105-137PDBA
P2R5G3-184 ⁵	(-122)	2	AP100GH	C105-137PDA

Item	Part No.	Description	US List	Can. List
MAX-E-GLAS / DURA-GLAS SERIES REPLACEMENT PARTS				
1	See Table	Motor	CALL	CALL
2	17351-0009	Water Slinger ⁴	1.60	1.65
3	C203-193P	Seal Plate Kit ^{1,2}	142.96	147.25
4	U9-228A	O-Ring	8.33	8.58
5	17304-0100S	Shaft Seal (For Seal Plate Design without Copper Insert)	11.12	11.45
6	WC36-22	Clamp Knob	10.94	11.27
6A	C19-37A	Clamp	89.06	91.73
7	See Table	Impeller	CALL	CALL
7A	C30-12	Impeller Screw - 1-1/2 thru 3 HP ³	6.61	6.81
8	C1-216P	Diffuser - 1/2 HP (Full Rate)	25.11	25.86
8	C1-200PA	Diffuser - 3/4 thru 2-1/2 HP (Full Rate)	26.67	27.47
8	C1-259P	Diffuser - 3 HP (Full Rate)	26.67	27.47
9	U30-542SS	Screw, 8-32 x 7/8 in.	1.92	1.98
9	U30-869SS	Screw, 8-32 x 1 in. (Model PE6H3)	CALL	CALL
10	U43-215S	Washer, #8 Lock	1.49	1.53
11	U9-226	Diffuser O-Ring	1.79	1.84
12	C176-47P1	Tank Body	113.83	117.24
13	U178-920P	Drain Plug 1/4 in. NPT with O-Ring	2.84	2.93
13A	U9-359	Drain Plug O-Ring	CALL	CALL
14	C104-42P	Base with Motor Pad	37.81	38.94
14	C104-41P	Base with Motor Pad (3 HP Only)	41.57	42.82
15	C35-11	Motor Pad	2.75	2.83
16	U43-42SS	Washer, Flat	1.82	1.87
17	U30-74SS	Capscrew, 3/8-16 x 1 in. Hex Head (3 HP Only)	3.75	3.86
17	U30-99SS	Capscrew, 3/8-16 x 1 in. Soc. Head	7.47	7.69
18	U30-77SS	Capscrew, 3/8-16 x 1-3/4 in. Hex Head	4.87	5.02
18	U30-778SS	Capscrew, 3/8-16 x 1-3/4 in. Soc. Head (3 HP Only)	CALL	CALL
NOT SHOWN				
	C78-7P	Reducer 2 in. x 1-1/2 in.	16.65	17.15

¹ Includes Seal Plate, Shaft Seal and Seal Plate O-Ring.

² New Seal Plate design. See insert drawing on opposite page for models with Copper Insert, see Figure 3A.

³ C30-12 Impeller Screw is required on all pumps using a 3-phase motor.

⁴ Replaces C69-2 (effective 9/00).

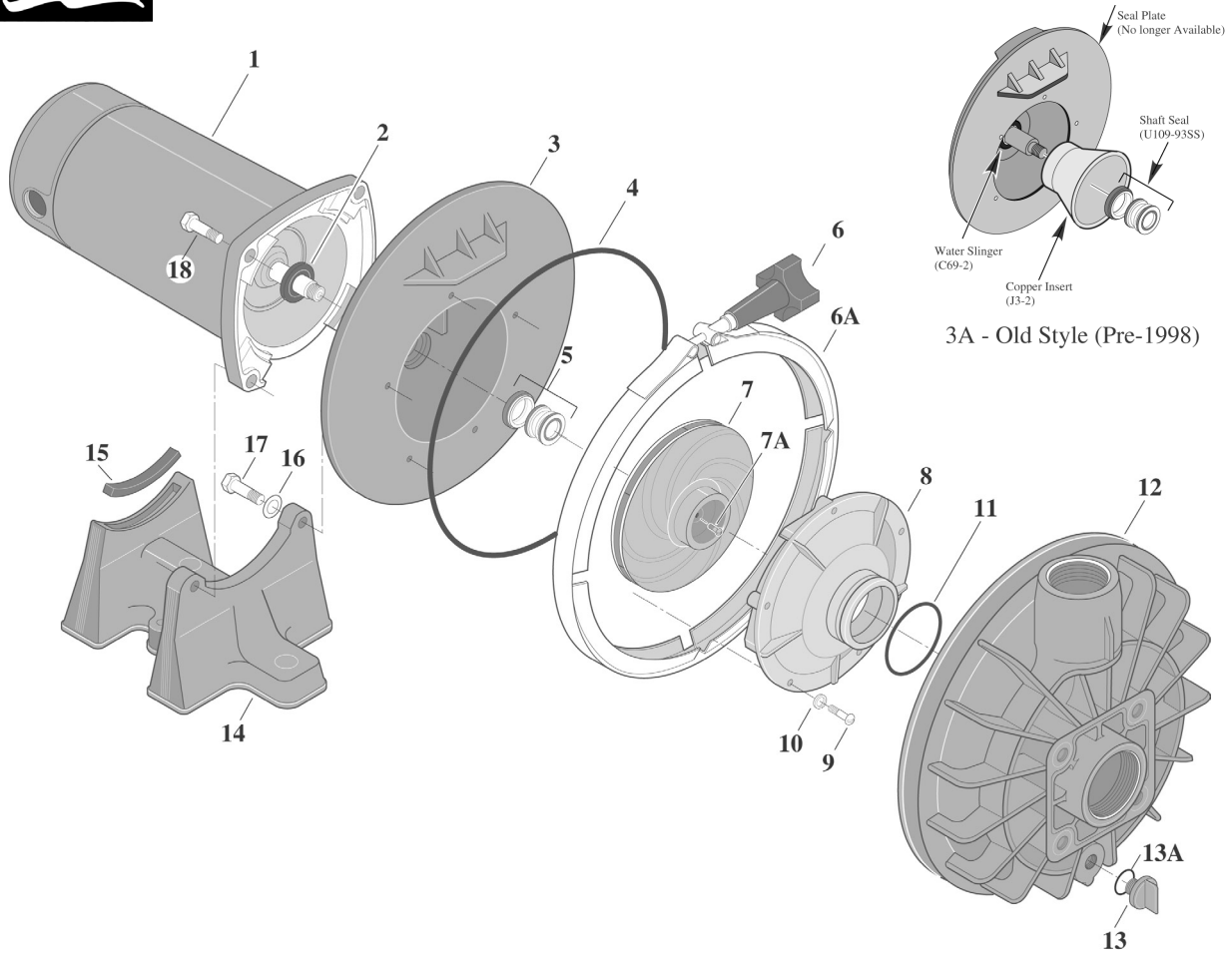
⁵ Requires one Impeller Screw, Part No. C30-12.

Note: PE5 and P2R5 models include 5 in. trap, PKG. 115.

Note: PE6 models include 6 in. trap, PKG. 161.

Max-E-Glas® / Dura-Glas® Series

"Up-Rate" Models - Replacement Parts



POINT-OF-SALE, STOCK ROOM, SERVICE VEHICLE

Attractive, clamshell packaging contains recommended parts for seal/gasket servicing or complete overhaul of most swimming pool/spa pumps. Eliminate the need for large parts inventories, protect parts from damage, and reduce paperwork.

SEAL/GASKET KITS - Include Shaft Seal, Gaskets, and O-Rings

Pump Series	Parts Pak #
PE, PEA, PR, PRA, P2R, P2RA (Models with copper insert pre 1998)	PP1000
PE, PEA, PR, PRA, P2R, P2RA (Models without copper insert 1998)	PP1200

OVERHAUL KITS - Include Impeller, Shaft Seals, Gaskets, O-Rings, Diffuser, Diffuser Screws and other appropriate hardware.

Pump Series	HP	Parts Pak #
PEA, P2RA	1/2	PP1010
PEA, P2RA	3/4	PP1011
PEA, P2RA	1	PP1014
PEA, P2RA	1-1/2	PP1016
PEA, P2RA	2	PP1018
PEA, P2RA	2-1/2	PP1017

Max-E-Glas® / Dura-Glas® Series (Cont'd)

"Up-Rate" Models - Replacement Parts



Parts are common to all models except as noted:
Part Nos. 1, Motor; and 7, Impeller, are listed below.

Model No.	Pumps with Copper Insert	HP	Motor No. (Key No. 1)	Impeller No. (Key No. 7)
MAX-E-GLAS				
115 Volt				
P2RA5YE-194L	(-133L)	1-1/6	A100ESLL-Y	C105-138PEB
115/230 Volt				
PEA5D-180L	(-120L)	3/4	AE100DLL	C105-92PS
PEA6D-120L		3/4	AE100DLL	C105-92PS
PEA5E-181L	(-124L)	1	AE100ELL	C105-138PEB
PEA6E-124L		1	AE100ELL	C105-138PEB
PEA5F-182L	(-125L)	1-1/2	AE100FLL	C105-137PEB
PEA6F-182L	(-125L)	1-1/2	AE100FLL	C105-137PEB
230 Volt				
PEA5G-126L ⁵		2	AE100GLL	C105-137PDBA
PEA6G-183L ⁵	(-126L)	2	AE100GLL	C105-137PDBA
PEAA5G-122L ⁵		2-1/2	AE100G5LL	C105-137PDA
PEAA6G-184L ⁵	(-122L)	2-1/2	AE100G5LL	C105-137PDA
200 Volt				
PEA52F-125†		1-1/2	AE100FL2	C105-137PEBA
PEA52G-126†		2	AE100GL2	C105-137PDBA
DURA-GLAS				
115 Volt				
P2RA5YF-182L	(-162L)	1-1/2-1/4	A100F5LL-Y	C105-137PEBA
115/230 Volt				
P2RA5C-179L	(-119L)	1/2	A100CLL	C105-92PR
P2RA5D-180L	(-120L)	3/4	A100DLL	C105-92PS
P2RA5E-181L	(-124L)	1	A100ELL	C105-138PEB
P2RA5F-182L	(-125L)	1-1/2	A100FLL	C105-137PEB
P2RAXF-182LS		1-1/2	A100FLL	C105-137PEB
P2RA6F-125L		1-1/2	A100FLL	C105-137PEB
230 Volt				
P2RA5G-126L ⁵		2	A100GLL	C105-137PDBA
P2RA6G-183L ⁵	(-126L)	2	A100GLL	C105-137PDBA
230/460 Volt - 3 Phase				
P2RA5C3-179	(-119)	1/2	AP100CL	C105-92PRA
230 Volt - 2 Speed				
P2RA5YE-181L, LC	(-124L)	1-1/6	A100ELL-Y	C105-138PEB
P2RA5YF-182L ⁵	(-125L)	1-1/2-1/4	A100FLL-Y	C105-137PEBA
P2RA5YG-183L ⁵	(-126L)	2-1/3	AE100GLL-Y	C105-137PDBA
P2RA6YG-183L ⁵	(-126L)	2-1/3	AE100GLL-Y	C105-137PDBA

Item	Part No.	Description	US List	Can. List
MAX-E-GLAS / DURA-GLAS SERIES REPLACEMENT PARTS				
1	See Table	Motor	CALL	CALL
2	17351-0009	Water Slinger ^{3,4}	1.60	1.65
3	C203-193P	Seal Plate Kit ^{1,2}	142.96	147.25
4	U9-228A	O-Ring	8.33	8.58
5	17304-0100S	Shaft Seal	11.12	11.45
6	WC36-22	Clamp Knob	10.94	11.27
6A	C19-37A	Clamp	89.06	91.73
7	See Table	Impeller	CALL	CALL
7A	C30-12	Impeller Screw - 1/2 thru 2-1/2 HP	6.61	6.81
8	C1-217P	Diffuser - 1/2 HP (Up-Rate)	24.81	25.55
8	C1-216P	Diffuser - 3/4 HP * (Up-Rate)	25.11	25.86
8	C1-200PA	Diffuser - 1 thru 2-1/2 HP (Up-Rate)	26.67	27.47
9	U30-5425S	Capscrew, 8-32 x 7/8 in.	1.92	1.98
10	U43-215S	Washer, #8 Lock	1.49	1.53
11	U9-226	Diffuser O-Ring	1.79	1.84
12	C176-47P1	Tank Body	113.83	117.24
13	U178-920P	Drain Plug 1/4 in. NPT with O-Ring	2.84	2.93
13A	U9-359	Drain Plug O-Ring	CALL	CALL
14	C104-42P	Base with Motor Pad	37.81	38.94
14	J104-9C	Base, Metal (Model P2RAXF-182LS Only)	37.29	38.41
15	C35-11	Motor Pad	2.75	2.83
16	U43-425S	Washer, Flat	1.82	1.87
17	U30-745S	Capscrew, 3/8 -16 x 1 in.	3.75	3.86
18	U30-775S	Capscrew, 3/8 -16 x 1-3/4 in.	4.87	5.02
NOT SHOWN				
	C78-7P	Reducer 2 in. x 1-1/2 in.	16.65	17.15

Note: P2RA5 and PEA5 models include 5 in. trap, PKG. 115.

Note: P2RA6 and PEA6 models include 6 in. trap, PKG. 161.

Note: P2RAX model does not include a trap.

¹ Includes Seal Plate, Shaft Seal and Seal Plate O-Ring.

² New Seal Plate design. See insert drawing on opposite page for models with Copper Insert, see Figure 3A.

³ Replaces C69-2 (effective 9/00).

⁴ P2RA5YE and P2RA5YF use C69-2.

⁵ Requires one Impeller Screw, Part No. C30-12.