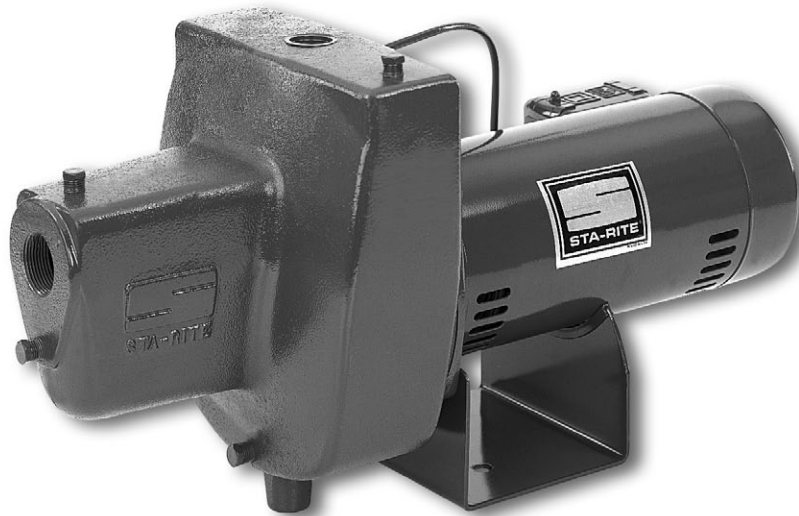


# Self-Priming Shallow Well Jet Pumps



*The ProJet HN models provide excellent performance with good pressure for wells to 25' deep. Self-priming after the priming chamber has been filled with water.*

## APPLICATIONS

- **Water systems and sprinkling...** for homes, farms and cottages.

## SPECIFICATIONS

**Max. Liquid Temperature** – 140°F

**Max. Inlet Pressure** – 50 PSI

**Average Priming time at 15 feet** –

HNC = 1.7; HND = 1.1; HNE = 1.3

**Average Priming time at 25 feet** –

HNC = 4.4; HND = 4.4; HNE = 2.6

**Body** – Close-grained cast iron

**Nozzle** – High strength Lexan®

**Venturi** – Lexan®

**Impeller** – Noryl®

**Diffuser** – Reinforced polypropylene

**Shaft** – One-piece threaded, 416 grade stainless steel

**Base** – Steel, 12 gauge

## ORDERING INFORMATION

Catalog Number	HP	Switch Setting	Description	Pipe Tapping Sizes		Motor Voltage	Approx. Wt. Lbs.
				Suct.	Disch.		
HNC	1/2	30-50	Shallow Well Jet	1-1/4"	1"	115/230	47
HND	3/4	30-50	Shallow Well Jet	1-1/4"	1"	115/230	65
HNE	1	30-50	Shallow Well Jet	1-1/4"	1"	115/230	70

Lexan® and Noryl® are registered trademarks of General Electric Co. ProJet™ and PRO-Source™ are trademarks of Pentair Water.

In order to provide the best products possible, specifications are subject to change.

## FEATURES

**Quality Construction** – Close-grained cast iron body, specially treated for corrosion resistance. Drain port provided for easy winterizing.

**Built-in Jet** – High strength Lexan nozzle and venturi for maximum resistance to corrosion and abrasion. Clean out plug provided for ease of service.

**Noryl Impeller** – Precision-molded for perfect balance... ultra-smooth for highest performance and efficiency.

**Precision Molded Diffuser** – Pump primes faster, handles more air, with multi-port, precision-molded, reinforced polypropylene diffuser.

**Mechanical Shaft Seal** – Precision lapped and highly polished carbon-ceramic, stainless steel construction. Internal design guarantees continuous water lubrication.

**Motor Windings** – Superior insulation materials protect against excessive moisture and contaminants... assure prolonged motor life.

**Balanced Rotor** – Die cast under high pressures for uniform performance and greater efficiency, dynamically balanced.

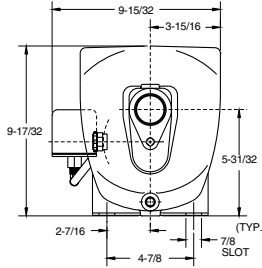
**Heavy-duty Ball Bearings** – Shielded, permanently lubricated bearings, extensively tested to ensure extended life and smooth, quiet operation.

**Pump and Motor Shaft** – Stainless steel for maximum corrosion resistance; one-piece threaded shaft for positive impeller drive and alignment.

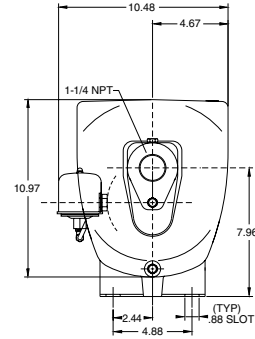
**Pressure Switch** – Professional quality, allows cut-in and differential adjustments.

# Self-Priming Shallow Well Jet Pumps

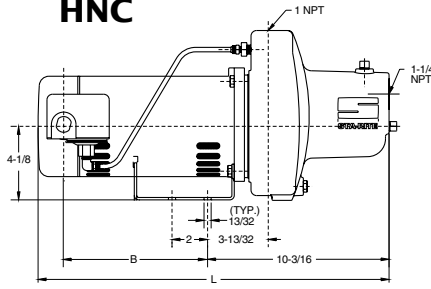
## OUTLINE DIMENSIONS



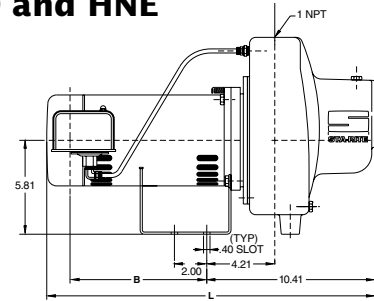
Cat. No.	L	B
HNC	18.7	7.1
HND	21.3	7.0
HNE	22.4	8.0



**HNC**

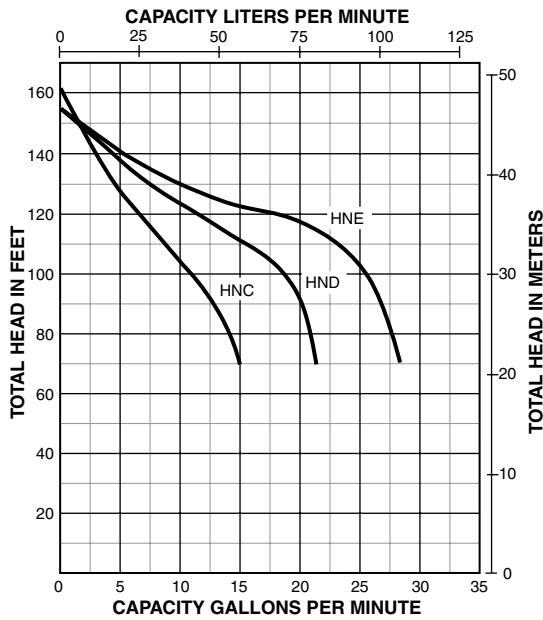


**HND and HNE**



Dimensions (in inches) are for estimating purposes only.

## PUMP PERFORMANCE



**2.31 FT. OF HEAD = 1 PSI**  
**1 FT. OF HEAD = .433 PSI**

## PUMP PERFORMANCE (Capacity in Gallons Per Minute)

Catalog Number	HP	Disch. Pressure PSI	Dynamic Suction Lift					Shut-Off Pressure PSI
			5'	10'	15'	20'	25'	
HNC	1/2	30	15.0	13.0	11.6	8.7	6.9	70
		40	12.5	11.4	10.1	8.2	6.8	
		50	8.0	6.8	6.1	4.8	3.5	
HND	3/4	30	21.4	19.1	16.5	13.3	9.5	67
		40	20.8	18.7	15.8	13.2	9.3	
		50	13.5	11.6	10.1	7.4	2.4	
HNE	1	30	28.5	25.0	21.4	17.4	12.6	67
		40	28.3	24.4	21.0	17.2	12.3	
		50	21.5	18.3	10.9	3.1	1.6	

Pump will operate at all depths shown, with pressure switch set at 30-50 PSI. Tested and rated in accordance with Water Systems Council Standards.

**NOTE:** Pumps installed with a PRO-Source™ tank require a 100 PSI relief valve. Pumps installed with a conventional tank require a 75 PSI relief valve. Relief valve must be capable of relieving entire flow of pump at relief pressure.