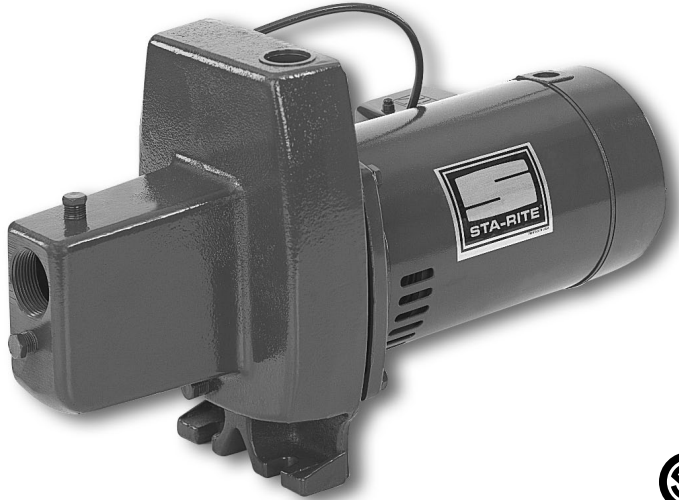


# Self-Priming Shallow Well Jet Pumps



*The FN Series provides strong performance with good pressure for wells to 25' deep. Self-priming after the priming chamber has been filled with water.*

## APPLICATIONS

- Water systems and sprinkling... for homes, farms and cottages.

## SPECIFICATIONS

**FNC Priming Time:**  
 at 15': 2.25 minutes max.  
 at 25': 6.5 minutes max.  
**FND Priming Time:**  
 at 15': 1.7 minutes max.  
 at 25': 4.4 minutes max.

**Max. Liquid Temperature:** 140°F  
**FNC Max. Inlet Pressure:** 60 PSI  
**FND Max. Inlet Pressure:** 50 PSI  
**Max. Inlet PSI + Pump Discharge PSI:** not to exceed 100 PSI  
**Body and Base** – Close-grained cast iron  
**Nozzle** – High strength polycarbonate  
**Venturi** – Polycarbonate  
**Impeller** – Noryl®  
**Diffuser** – Reinforced polypropylene  
**Shaft** – One-piece threaded stainless steel

## FEATURES

- Quality Construction** – Close-grained cast iron body and base, specially treated for corrosion resistance. Drain port provided for easy winterizing.
- Built-in Jet** – High strength polycarbonate nozzle and venturi for maximum resistance to corrosion and abrasion. Clean out plug provided for ease of service.
- Noryl Impeller** – Precision-molded for perfect balance... ultra-smooth for highest performance and efficiency.
- Precision Molded Diffuser** – Pump primes faster, handles more air, with multi-port, precision-molded, reinforced polypropylene diffuser.
- Mechanical Shaft Seal** – Precision lapped and highly polished carbon-ceramic, stainless steel construction. Internal design guarantees continuous water lubrication.
- Motor Windings** – Superior insulation materials protect against excessive moisture and contaminants... assure prolonged motor life.
- Balanced Rotor** – Die cast under high pressures for uniform performance and greater efficiency, dynamically balanced.
- Heavy-duty Ball Bearings** – Sealed, permanently lubricated bearings, extensively tested to ensure extended life and smooth, quiet operation.
- Pump and Motor Shaft** – Stainless steel for maximum corrosion resistance; one-piece threaded shaft for positive impeller drive and alignment.
- Dustproof Cover** – All electrical components are protected from dirt, dust and insects by a dustproof canopy; ventilating air cannot contaminate vital switching components.
- Pressure Switch** – Adjustable cut-in and fixed differential (20 PSI).

## ORDERING INFORMATION

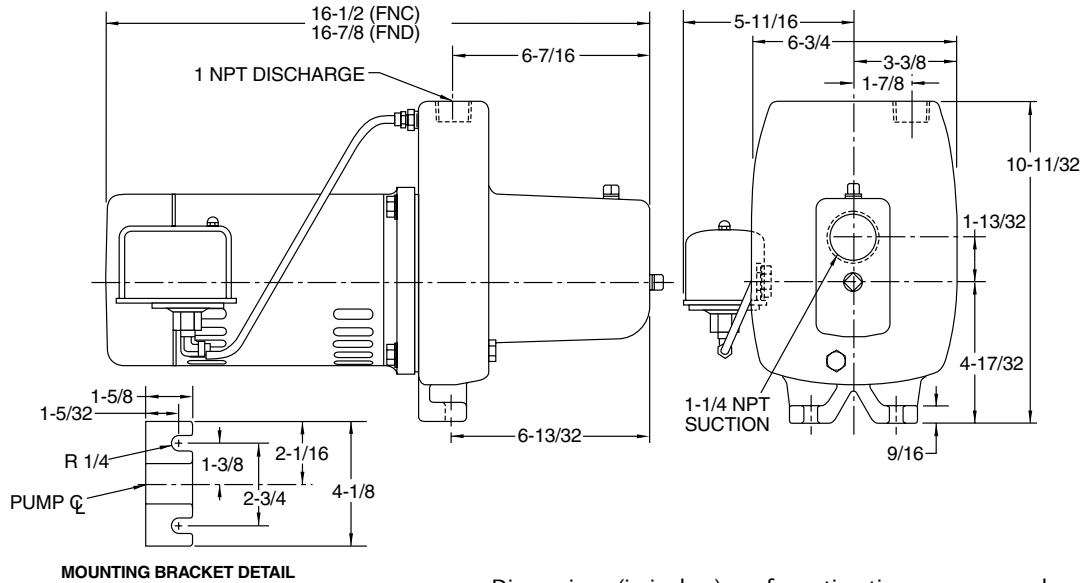
Catalog Number	HP	Switch Setting	Description	Pipe Tapping Sizes		Motor Voltage	Approx. Wt. Lbs.
				Suct.	Disch.		
FNC	1/2	30-50	Shallow Well Jet	1-1/4"	1"	115/230	46
FND	3/4	30-50	Shallow Well Jet	1-1/4"	1"	115/230	47

Noryl® is a registered trademark of General Electric Co. PRO-Source™ is a trademark of Pentair Water.

In order to provide the best products possible, specifications are subject to change.

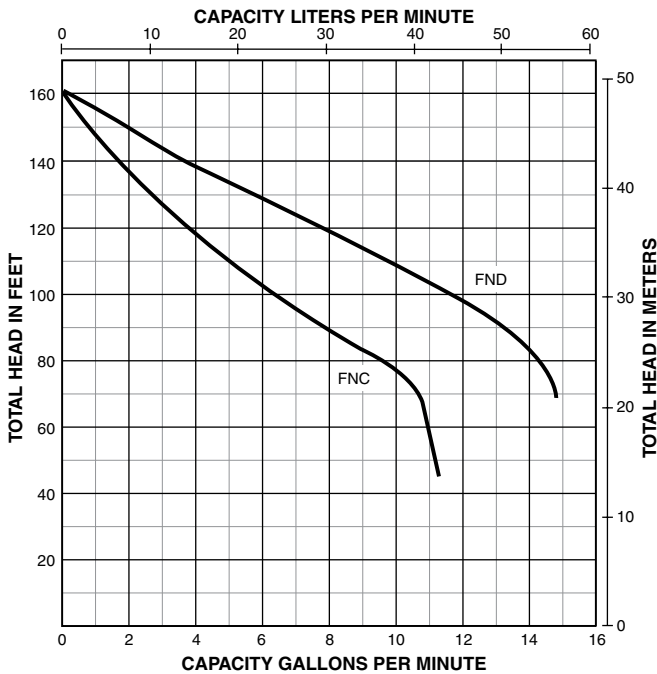
# Self-Priming Shallow Well Jet Pumps

## OUTLINE DIMENSIONS



Dimensions (in inches) are for estimating purposes only.

## PUMP PERFORMANCE



## PUMP PERFORMANCE

Cat. No.	HP	Disch. Pressure		Dynamic Suction Lift					Shut-Off Pressure PSI
		PSI	Feet Head	5'	10'	15'	20'	25'	
FNC	1/2	20	46.2	9.8	8.8	7.5	6.2	4.5	69
		30	69.3	9.2	8.2	7.2	5.9	4.2	
		40	92.4	6.9	6.0	5.3	4.5	4.0	
		50	115.5	3.8	3.5	2.7	1.9	1.4	
FND	3/4	30	69.3	15.0	13.0	11.6	8.7	6.9	70
		40	92.4	12.5	11.4	10.1	8.2	6.8	
		50	115.5	8.0	6.8	6.1	4.8	3.5	

Pump will operate at all depths shown, with pressure switch set at 30-50 PSI.

Tested and rated in accordance with Water Systems Council Standards.

**NOTE:** Pumps installed with a PRO-Source™ tank require a 100 PSI relief valve. Pumps installed with a conventional tank require a 75 PSI relief valve. Relief valve must be capable of relieving entire flow of pump at relief pressure.