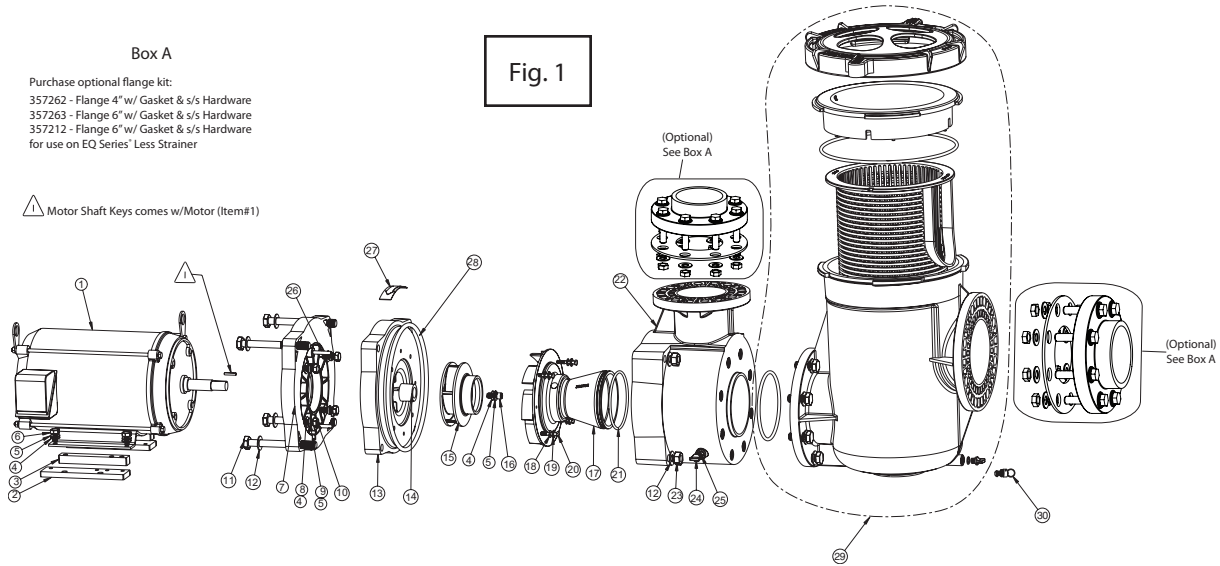


EQ Series® Commercial Plastic Pump Replacement Parts



Box A
 Purchase optional flange kit:
 357262 - Flange 4" w/ Gasket & s/s Hardware
 357263 - Flange 6" w/ Gasket & s/s Hardware
 357212 - Flange 6" w/ Gasket & s/s Hardware
 for use on EQ Series' Less Strainer

Fig. 1



Refer to Fig. 1

Part No.	Model No.	HP	Phase	Motor Support (Item No. 2)	Additional Motor Support (Item No. 3)	Motor No. (Item No. 1)	Impeller (Item No. 15)	Diffuser (Item No. 17)
340019, 340030	EQ500	5	1	356713	356712	357065S	350030	350032
340020, 340031	EQK500	5	3	356713	356712	357068S	350030	350032
340021, 340032	EQ750	7-1/2	1	356713	N/A	357066S	350029	350033
340022, 340033	EQK750	7-1/2	3	356713	356712	357069S	350029	350033
340237, 340238	EQ1000	10	1	356713	N/A	357063S	350028	350033
340023, 340034	EQK1000	10	3	356713	N/A	357070S	350028	350033
340024, 340035	EQK1500	15	3	356713	N/A	357071S	350027	356735
340045, 340047	EQK1000 EXPL PF	10	3	356713	N/A	350112S	350027	356735
340046, 340048	EQK750 EXPL PF	7-1/2	3	356713	N/A	350113S	350028	350033
340049, 350083	EQK1000	10	3	356713	N/A	350153S	350027	356735
340080, 340084	EQK750	7-1/2	3	356713	N/A	350154S	350028	350033
340081, 340085	EQK500	5	3	356713	356712	350155S	350029	350033
340082, 340086	EQK300	3	3	356713	356712	350156S	350030	350032
340018, 340029	EQWK500	5	3	356713	356712	350158S	350070	357273
340017, 340028	EQW500	5	1	356713	356712	350159S	350070	357273
340148, 340155	EQK500 575V	5	3	356713	356712	355038S	350030	350032
340149, 340156	EQK750 575V	7-1/2	3	356713	356712	355039S	350029	350033
340150, 340157	EQK1000 575V	10	3	356713	N/A	355042S	350028	350033
340151, 340159	EQK1500 575V	15	3	356713	N/A	355044S	350027	356735
340014, 340026	EQW300	3	1	356713	356712	357064S	350027	356735
340016, 340027	EQWK300	3	3	356713	356712	357067S	350027	356735

Call for pricing on these items.

EQ Series® Commercial Plastic Pump

Replacement Parts

Refer to Fig. 1

Item	Part No.	Description	US List	Can. List
EQ SERIES PUMP				
1		Motor - See Table on Prev Page	CALL	CALL
2		Support - Motor - See Table on Prev Page	CALL	CALL
3		Support Adapter - See Table on Prev Page	CALL	CALL
4	072184	Washer, Flat 3/8 in. ID x 7/8 in. OD .05 Thk 18-8 s/s - (qty.51 & qty.9)	1.33	1.37
5	98220600	Washer Split Lock 3/8 in. 18-8 s/s - (qty. 51 & qty. 9)	1.33	1.37
6	A135	Screw 3/8 in.-16 x 3/4 in. Hx Hd Cap 18-8 s/s (EQ750...1PH, EQ1000, EQ1500) - (qty. 4)	10.61	10.93
6	350073	Screw 3/8 in.-16 x 1-1/2 Hx Hd Cap 18-8 s/s (EQ300, EQ500, EQ750...3PH) - (qty.4)	4.89	5.04
7	356790	Adapter - Motor - EQ Series	877.75	904.08
8	075842	Washer, Flat 1/2 in. ID x 1-1/4 in. OD .125 Thk 300 s/s - (qty. 4)	1.33	1.37
9	350063	Washer Split Lock 1/2 in. 18-8 s/s - (qty.4)	6.27	6.46
10	354290	Screw 3/8 in.-16 x 1 in. Hx Hd Cap 18-8 s/s (EQ300, EQ500, EQ750...3PH) - (qty. 4)	2.27	2.34
10	071687	BLT 1/2-13 x 1.25 STL HH SS (qty. 4)	5.51	5.68
11	356710	Screw 5/8 in.-11 x 6-1/2 in. Hx Hd Cap 18-8 s/s - (qty. 4)	119.86	123.46
12	356789	Washer, Flat 11/16 in. IDx1 - 5/16 in. OD .078 Thk 300 s/s (qty. 8)	1.33	1.37

Item	Part No.	Description	US List	Can. List
13	356795	Seal Plate - EQ Series	1037.33	1068.45
14	0717255	Seal Set	43.55	44.86
15		Impeller - See Table on Prev Page	CALL	CALL
16	071037	Screw 3/8 in.-16 x 1 in. Sckt. Hd Cap 18-8 s/s	5.65	5.82
17		Diffuser - See Table on Prev Page	CALL	CALL
18	51008500	Washer, Flat 1/4 in. 300 s/s - (qty. 4)	3.56	3.67
19	072172	Washer Split Lock 1/4 in. 18-8 s/s - (qty. 4)	0.21	0.22
20	350035	Screw 1/4 in.-20 x 1-1/2 in. Hx Hd Cap 18-8 s/s (EQ500, EQ750, EQ1000) - (qty. 4)	4.67	4.81
20	356797	Screw 1/4 in.-20 x 1-3/4 in. Hx Hd Cap 18-8 s/s (EQW300, EQ1500) - (qty. 4)	5.26	5.42
21	350037	O-ing Diffuser 3/16 in. x 4-7/8 in.	16.26	16.75
22	356755	Housing - EQ Series	3121.48	3215.12
23	356776	Nut 5/8 in.-11 Hx Brass - (qty. 5)	15.34	15.80
24	357161	Drain Plug	3.43	3.53
25	192115	O-ring Drain Plug	1.08	1.11
26	350060	Pin Dowel 5/16 in. x 1-3/4 in. 18-8 s/s - (qty. 2)	22.49	23.16
28	356780	O-ring Seal Plate 3/8 in. x 11 in. dia.	48.32	49.77
29	340013	Strainer Pot, Complete EQ 6 in. x 6 in.	1361.12	1401.95
30	350087	Pressure Relief Valve	60.18	61.99

Refer to Fig. 2

Item	Part No.	Description	US List	Can. List
EQ SERIES HAIR & LINT STRAINER				
1	356725	Pot EQ strainer	2089.29	2151.97
2	357184	Basket EQ strainer	194.58	200.42
3	350166	Gasket, EQ lid	19.60	20.19
4	356750	Lid EQ clear	440.95	454.18
5	350171	Clamp Cam & Ramp™ EQ	609.26	627.54
6	357161	Drain Plug	3.43	3.53
7	192115	O-ring drain plug	1.08	1.11
8	356788	Screw, 5/8 in., 11 x 1-3/4 in. hx hd cap 18-8 SS (qty. 8)	9.65	9.94
9	356789	Washer, flat 11/16 in. ID x 1-5/16 in. OD 0.078 thk 300 SS (qty. 8)	1.33	1.37
10	350013	O-ring pot flange	2.63	2.71
NOT SHOWN				
	350087	Pressure relief valve, 1/4 in. NPT	60.18	61.99

