

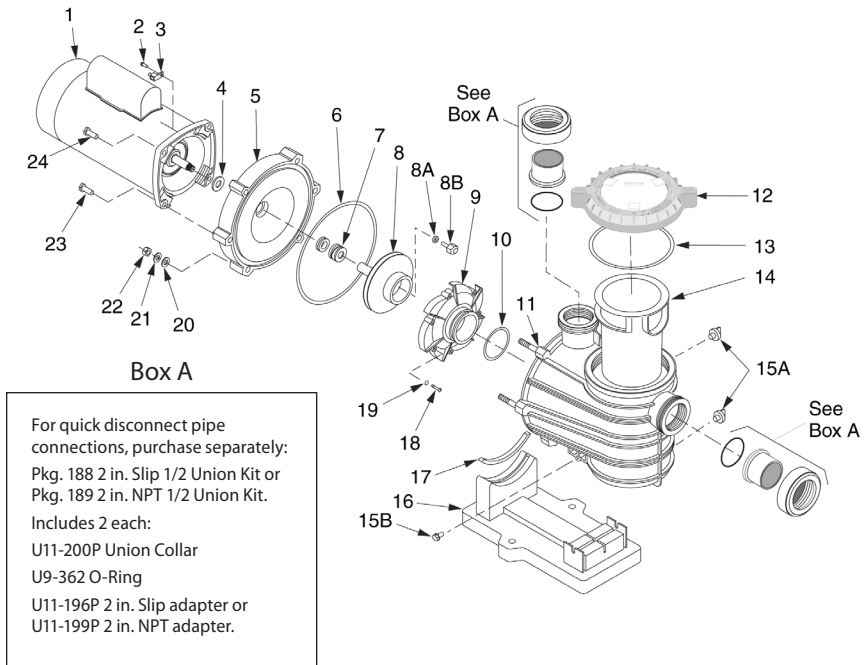
Dyna-Pro® / Dyna-Pro® E Pumps

1/2 through 2-1/2 HP Models, Single Speed and Two Speed Replacement Parts



Motor Chart

Model No.	HP	Motor No. (Key No. 1)
Single Speed 115/230/60/1		
MPRA6D-204L	3/4	A100DLL
MPRA6E-205L	1	A100ELL
MPRA6F-206L	1-1/2	A100FLL
MPEA6D-204L	3/4	AE100DLL
MPEA6E-205L	1	AE100ELL
MPEA6F-206L	1-1/2	AE100FLL
MPE6C-204L	1/2	AE100CHL
MPE6D-205L	3/4	AE100DHL
MPE6E-206L	1	AE100EHL
230/60/1		
MPRA6G-207L	2	A100GLL
MPEA6G-207L	2	AE100GLL
MPEAA6G-208L	2-1/2	AE100G5LL
MPE6F-207L	1-1/2	AE100FHL
MPE6G-208L	2	AE100G5HL
Two Speed 230/60/1		
MPRA6YF-206L	1-1/2	A100FLL-Y
MPEA6YG-207L	2	AE100GLL-Y
MPEAA6YG-208L	2-1/2	AE100G5LL-Y
MPE6YF-207L	1-1/2	AE100GLL-Y
MPE6YG-208L	2	AE100G5LL-Y



Box A

For quick disconnect pipe connections, purchase separately:
 Pkg. 188 2 in. Slip 1/2 Union Kit or
 Pkg. 189 2 in. NPT 1/2 Union Kit.

Includes 2 each:
 U11-200P Union Collar
 U9-362 O-Ring
 U11-196P 2 in. Slip adapter or
 U11-199P 2 in. NPT adapter.

Item	Part No.	Description	US List	Can. List
DYNA-PRO REPLACEMENT PARTS				
2	U30-692SS	Screw #10-32 x 1/2 in.	1.82	1.87
3	U17-568	Bonding Lug	9.30	9.58
4	17351-0009	Slinger	1.60	1.65
5	C3-184P	Seal Plate	CALL	CALL
6	U9-373	Seal Plate Cord Ring	8.08	8.32
7	37400-0027S	Shaft Seal	24.71	25.45
8	C105-236P	Impeller, 1/2 HP - Models MPEA6D-204L, MPE6C-204L, MPRA6D-204L	40.50	41.72
8	C105-236PB	Impeller, 1 HP - Models MPEA6E-205L, MPE6D-205L, MPRA6E-205L, MPRA6E-147L, MPRA6E-147LC	40.50	41.72
8	C105-236PC	Impeller, 1-1/2 HP - Models MPEA6F-206L, MPE6E-206L, MPRA6F-206L, MPRA6YF-206L,	40.50	41.72
8	C105-236PDA	Impeller, 2 HP - Models MPEA6G-207L, MPE6F-207L, MPEA6YG-207L, MPE6YF-207L, MPRA6G-207	40.50	41.72
8	C105-236PEA	Impeller, 2-1/2 HP - Models MPEAA6G-208L, MPA6G-208L, MPEAA6YG-208L, MPE6G-208L	40.50	41.72
8A	33455-1047	Gasket, Models MPEA6G-207L, MPE6F-207L, MPEA6YG-207L, MPE6YF-207L, MPRA6G-207	5.91	6.09
8A	33455-1047	Gasket, Models MPEAA6G-208L, MPA6G-208L, MPEAA6YG-208L, MPE6G-208L	5.91	6.09
8B	37337-6080	Impeller Lock Screw, Models MPEA6G-207L, MPE6F-207L, MPEA6YG-207L, MPE6YF-207L, MPRA6G-207	16.45	16.94
8B	37337-6080	Impeller, Models MPEAA6G- 208L, MPA6G-208L, MPEAA6YG- 208L, MPE6G-208L	16.45	16.94
9	C1-270PB	Diffuser - 1/2 HP	25.11	25.86

Item	Part No.	Description	US List	Can. List
9	C1-270PC	Diffuser - 1 HP	25.11	25.86
9	C1-270P	Diffuser - 1-1/2 HP	25.11	25.86
9	C1-270P	Diffuser - 2 HP	25.11	25.86
9	C1-270P	Diffuser - 2-1/2 HP	25.11	25.86
10	U9-374	Diffuser O-Ring	4.82	4.96
11	C76-71P	Tank and Trap Body (Only)	233.29	240.29
12	C3-185P	Trap Cover	52.54	54.12
12	17307-0111	Trap Lid and Ring Assembly	CALL	CALL
13	35505-1440	Trap Cover O-Ring	15.86	16.34
14	C8-58P	Trap Basket	11.77	12.12
15A	U178-920P	Drain Plug	2.84	2.93
15B	U30-919SS	Mounting Screw 5/16-14 x 5/8 in.	3.73	3.84
16	C4-77P	Base - Plastic	42.42	43.69
17	C35-45	Motor Pad - for Plastic Base	3.85	3.97
18	U30-542SS	Screw #8-32 x 7/8 in. Rd. Hd.	1.92	1.98
19	U43-21SS	Lock Washer #8 Ext. Tooth.	1.49	1.53
20	U43-62SS	Flat Washer 3/8 in.	1.49	1.53
21	U43-12SS	Lock Washer 3/8 in.	2.33	2.40
22	U36-38SSW	Nut 3/8-16 Hex	CALL	CALL
23	U30-75SS	Cap Screws 3/8-16 x 1-1/4 in. Hex. (LS Suffix)	2.45	2.52
24	U30-74SS	Cap Screws 3/8-16 x 1 in. Hex.	3.75	3.86
NOT SHOWN				
	32155-4071	Nameplate	CALL	CALL
	61002-0012	Tag, "CAUTION This pump equipped with mechanical shaft seal..."	CALL	CALL
	U27-153	Voltage Sticker	0.80	0.82
	C63-12	Tag, "WARNING/CAUTION/ Instructions..."	4.28	4.41