

Dyna-Pro® Pumps

Self-Priming Medium Head Pool/Spa Pumps



Dyna-Pro Pump

A rapid, self-priming, medium head pump in 1/2 through 2-1/2 HP with an extra large, integral hair and lint strainer. Precision-molded with Sta-Rite's exclusive thermoplastic composite resin that is highly corrosion resistant.

Featured Highlights

- Superior hydraulic design and optional energy-efficient motor deliver effortless performance, energy savings, and extended pump life
- High-capacity trap holds a large amount of debris for longer periods between cleanings
- The Cam and Ramp™ lid is easy to remove and locks in place with a quarter turn, making inspection and cleaning a breeze
- Quick-disconnect plumbing unions for faster disassembly and easier service

Ordering Information

Product	Voltage	Full. Load Amps	HP	SF	SFHP	Primary Listings and Certifications ³	Port Size (NPT)	Carton Wt. (Lbs.)	Curve Key
ENERGY EFFICIENT SINGLE SPEED FULL RATED									
MPE6C-204L	115/230	11.0/5.5	1/2	1.90	0.95	UL ¹ , NSF ²	2 in. x 2 in.	37	D
MPE6D-205L	115/230	13.8/6.9	3/4	1.65	1.23	UL ¹ , NSF ²	2 in. x 2 in.	39	E
MPE6E-206L	115/230	16.0/8.0	1	1.65	1.65	UL ¹ , NSF ²	2 in. x 2 in.	44	F
MPE6F-207L	230	10.4	1-1/2	1.47	2.20	UL ¹ , NSF ²	2 in. x 2 in.	51	G
MPE6G-208L	230	11.2	2	1.30	2.60	UL ¹ , NSF ²	2 in. x 2 in.	54	H
ENERGY EFFICIENT SINGLE SPEED UP RATED									
MPEA6D-204L	115/230	11.0/5.5	3/4	1.27	0.95	UL ¹ , NSF ²	2 in. x 2 in.	37	D
MPEA6E-205L	115/230	13.8/6.9	1	1.25	1.25	UL ¹ , NSF ²	2 in. x 2 in.	39	E
MPEA6F-206L	115/230	16.0/8.0	1-1/2	1.10	1.65	UL ¹ , NSF ²	2 in. x 2 in.	44	F
MPEA6G-207L	230	10.4	2	1.10	2.20	UL ¹ , NSF ²	2 in. x 2 in.	51	G
MPEAA6G-208L	230	11.2	2-1/2	1.04	2.60	UL ¹ , NSF ²	2 in. x 2 in.	54	H
STANDARD EFFICIENCY SINGLE SPEED UP RATED									
MPRA6D-204L	115/230	13.4/6.7	3/4	1.27	0.95	UL ¹ , NSF ²	2 in. x 2 in.	35	D
MPRA6E-205L	115/230	15.3/7.6	1	1.25	1.25	UL ¹ , NSF ²	2 in. x 2 in.	37	E
MPRA6F-206L	115/230	19.2/9.6	1-1/2	1.10	1.65	UL ¹ , NSF ²	2 in. x 2 in.	42	F
MPRA6G-207L	230	12.0	2	1.10	2.20	UL ¹ , NSF ²	2 in. x 2 in.	49	G
ENERGY EFFICIENT TWO SPEED 3450 RPM, LOW SPEED 1725 RPM UP RATED									
MPEA6YG-207L	230	10.1/3.7	2	1.10	2.20	UL ¹ , NSF ²	2 in. x 2 in.	53	B, G
MPEAA6YG-208L	230	11.9/3.5	2-1/2	1.04	2.60	UL ¹ , NSF ²	2 in. x 2 in.	57	C, H
STANDARD EFFICIENCY TWO SPEED 3450 RPM, LOW SPEED 1725 RPM UP RATED									
MPRA6YF-206L	230	9.2/2.5	1-1/2	1.10	1.65	UL ¹ , NSF ²	2 in. x 2 in.	45	A, F
ACCESSORIES									
77703-0100	2 in. Union Half x 1-1/2 in. FPT – Package Of Two							1	
77703-0101	2 in. Union Half x 1-1/2 in. Slip – Package Of Two							1	
PKG 188	2 in. Union Half x 2 in. Slip – Package Of Two							1	
PKG 189	2 in. Union Half x 2 in. FPT – Package Of Two							1	
U79-11	Trap Lid Wrench							1	
17350-0008	Rubber Pump Base Pad							1	

¹ 'UL' indicates that pump bears a specific UL mark signifying evaluation to U.S. Standards UL1081 for Permanently Connected Swimming Pool and Spa Pumps and to Canadian Standards CAN/CSA C22.2 No. 108-01 Liquid Pumps For Swimming Pools And Spas. (Enclosure 3).

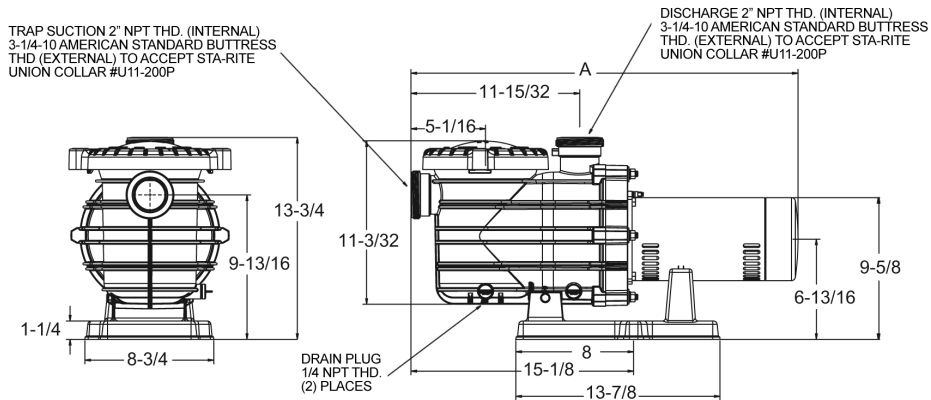
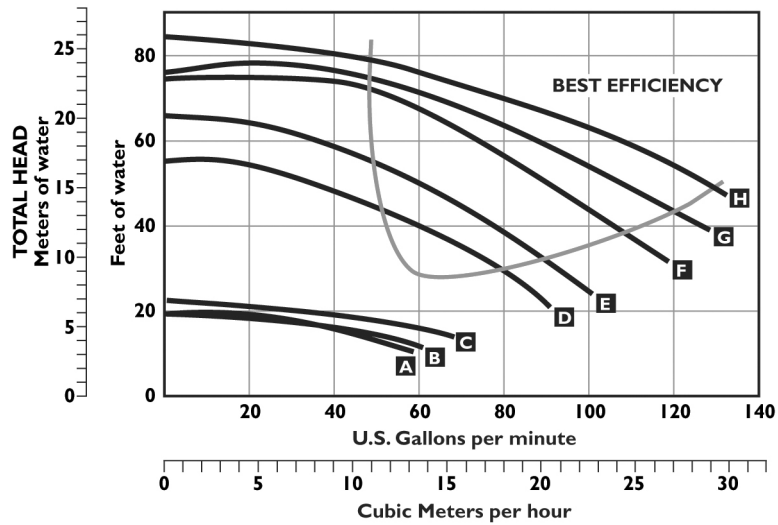
² 'NSF' indicates that pump bears a NSF mark signifying evaluation to NSF Standard 50 For Self-Priming Centrifugal Pumps For Swimming Pools, Spas and Hot Tubs.

³ Product may have been evaluated to other state and local regulatory standards. Listing status may change. Always confirm status with appropriate agency if in doubt.

Dyna-Pro® / Dyna-Pro® E Pumps

Self-Priming Medium Head Pool/Spa Pumps

Dimensions and Performance



Catalog Number	Dimension "A"
MPRA6DL	25-1/8
MPRA6EL	25-1/2
MPRA6FL	26-1/2
MPRA6GL	27
MPRA6YFL	26-1/2
MPEA6DL	25-5/8
MPEA6EL	26
MPEA6FL	26-5/8
MPEA6GL	26-5/8
MPEAA6GL	27-1/4
MPEA6YGL	26-5/8
MPEAA6YGL	27-1/4

All dimensions shown in inches.