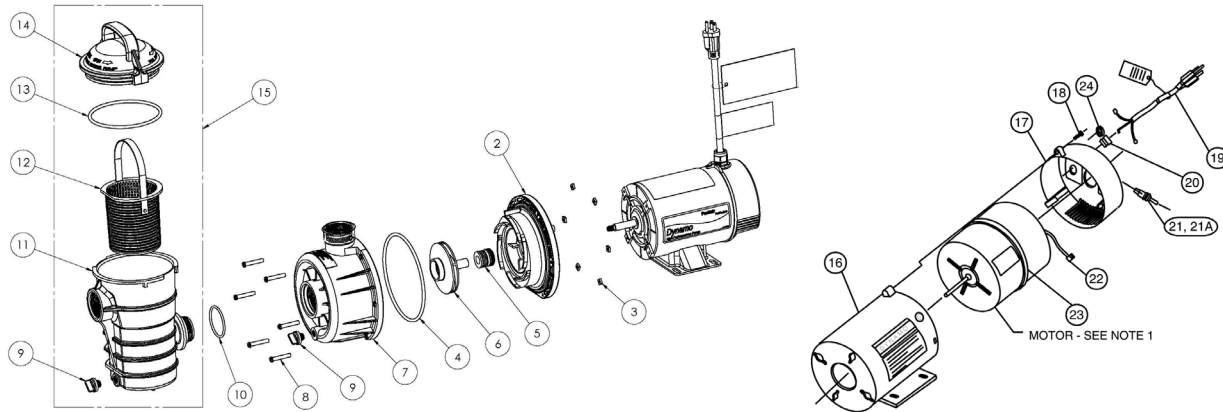


Dynamo® Pumps

Replacement Parts for Swimming Pool Pumps



Item	Part No.	Description	US List	Can. List
DYNAMO PUMPS				
MOTORS				
2	354632	Diffuser, 3/4 HP bracket	91.55	94.30
2	354633	Diffuser, 1, 1-1/2 HP bracket	91.55	94.30
3	354542	Nut, 10-24 SS, 6 req.	1.33	1.37
4	354634	O-ring, 3/16 in. bracket diffuser	6.89	7.10
5	354545S	Seal, 5/8 in. mechanical	24.48	25.21
6	353002	Impeller, 1/2 HP	30.99	31.92
6	354552	Impeller, 3/4 HP	25.20	25.96
6	355122	Impeller, 1 HP	29.25	30.13
7	354630	Housing, body	101.54	104.59
8	354541	Screw, 10-24-1-1/2 in. slotted hex, 6 req.	1.83	1.88
9	U178-920P	Drain plug assy. - 2 req.	2.84	2.93
10	273062	O-ring	1.38	1.42
11	354530	Pot	89.97	92.67
12	354548	Basket w/handle	16.44	16.93
13	354533	O-ring, lid	7.70	7.93
14	354531	Lid, universal	48.79	50.25
14	354113	Chemical Resistant Lid	48.79	50.25
15	354103	Pot assembly	194.03	199.85
16	354621	Body, motor enclosure	42.09	43.35
17	354881	Cap, motor enclosure	54.75	56.39

Item	Part No.	Description	US List	Can. List
18	154716	Screw, No.10 self tapping	0.62	0.64
19	155371	Cord, 25 ft.	66.22	68.21
20	41412700	Bushing connector	9.16	9.43
21	155187	Switch, on/off toggle (CSA)	18.76	19.32
21A	356546	Switch, three position toggle (Hi/Low/Off)	47.82	49.25
22	155193	Wire, 6 in. jumper	5.51	5.68
23	354658	Insulation, foam strip adhesive backing	1.83	1.88
24	350024	Locknut, steel 1-1/2 in.	0.75	0.77
NOT SHOWN				
	352256	Nut, 1-1/2 in. quick connect, 2 req.	8.52	8.78
	354571	O-ring, 2 req.	2.98	3.07
	79137800	3 ft. cord standard assembly	55.02	56.67
	352245	Strain relief bushing for cords	2.38	2.45
	155295	Photo sensor add-on, used on 3/4 & 1 HP only	175.89	181.17
	350444	Motor switch assembly, on/off	40.80	42.02
	155380Z	Base CSA 4 in.	72.22	74.39
	155234	3 ft. cord TW	67.04	69.05