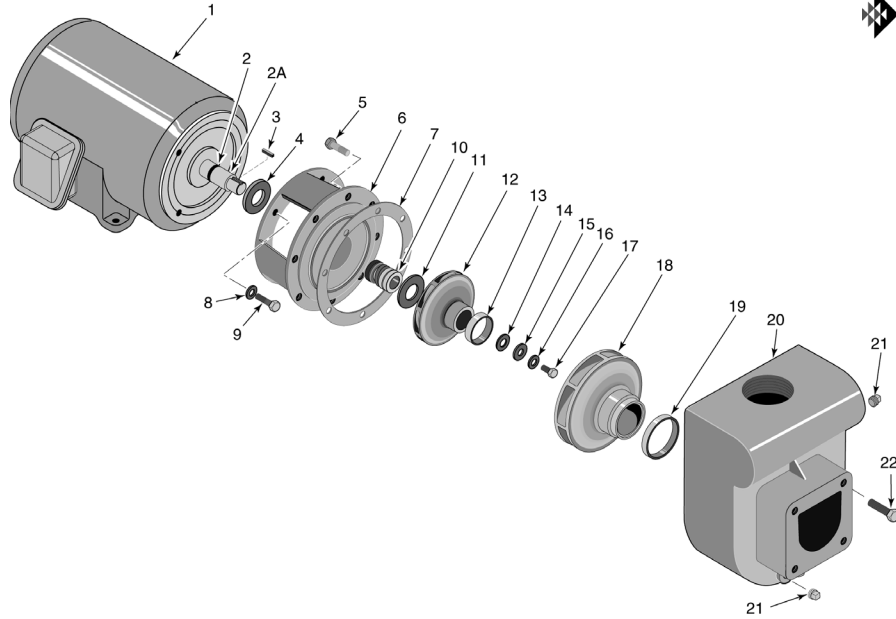


D Series™

Replacement Parts



| Item | Part No. | Description | US List | Can. List |
|---|------------|--|---------|-----------|
| Self Priming Centrifugal Pump - D Series | | | | |
| 1 | C218-177 | Motor 230V/60H/1 Ph. DMH Medium Head: 3 HP, High Head: 3 HP | 919.90 | 947.50 |
| 1 | C218-180 | Motor 230V/60H/1 Ph. DMJ Medium Head: 5 HP, High Head: 5 HP | 1158.54 | 1193.30 |
| 1 | C218-179 | Motor 230/460V/60H/3 Ph. DMH Medium Head: 3 HP, High Head: 3 HP | CALL | CALL |
| 1 | C218-182 | Motor 230/460V/60H/3 Ph. DMJ Medium Head: 5 HP, High Head: 5 HP | CALL | CALL |
| 1 | C218-191 | Motor 200V/60H/1 Ph. DMH Medium Head: 3 HP, High Head: 3 HP | 919.90 | 947.50 |
| 1 | C218-192 | Motor 200V/60H/1 Ph. DMJ Medium Head: 5 HP, High Head: 5 HP | 1158.54 | 1193.30 |
| 1 | C218-178 | Motor 200V/60H/3 Ph. DMH Medium Head: 3 HP, High Head: 3 HP | 765.95 | 788.93 |
| 1 | C218-181 | Motor 200V/60H/3 Ph. DMJ Medium Head: 5 HP, High Head: 5 HP | 958.39 | 987.14 |
| 2 | U9-265 | O-Ring | 2.18 | 2.25 |
| 2A | C23-58 | Sleeve | 108.03 | 111.27 |
| 3 | U65-42A | Key, Square 3/16 x 3/16 x 7/8 in. | 10.72 | 11.04 |
| 4 | N/A | | | |
| 5 | 071681 | Screw 3/8 x 16 x 7/8 in. HH | 1.24 | 1.28 |
| 6 | C2-66 | Motor Adapter | 258.18 | 265.93 |
| 7 | C20-46 | Gasket, Adapter | 7.14 | 7.35 |
| 8 | U43-12ZP | Lockwasher, 3/8 in. ¹ | 1.27 | 1.31 |
| 9 | U30-73ZP | Capscrew, 3/8-16 x 7/8 in. | CALL | CALL |
| 10 | U109-433SS | Shaft Seal ² | 114.17 | 117.60 |
| 11 | C20-101 | Gasket, Seal | 2.78 | 2.86 |
| 12 | C5-246 | Impeller ² - Medium Head: 3 HP | 679.26 | 699.64 |
| 12 | C5-247 | Impeller ² - Medium Head: 5 HP | 672.91 | 693.10 |

| Item | Part No. | Description | US List | Can. List |
|---|------------|---|---------|-----------|
| Self Priming Centrifugal Pump - D Series | | | | |
| 12 | C5-248 | Impeller ² - High Head: 3 HP | 668.36 | 688.41 |
| 12 | C5-249 | Impeller ² - High Head: 5 HP | 631.05 | 649.98 |
| 13 | J23-5 | Wear Ring (Only) | 25.29 | 26.05 |
| 13 | C23-14 | Wear Ring (Only) - Medium Head: 5 HP | 30.76 | 31.68 |
| 14 | C20-100 | Gasket | 2.78 | 2.86 |
| 15 | C43-45SS | Washer, Impeller | 5.36 | 5.52 |
| 16 | C43-46 | Gasket | 4.76 | 4.90 |
| 17 | U30-72SS | Screw, Impeller 3/8-16 x 3/4 in. ¹ | 3.75 | 3.86 |
| 18 | C101-126 | Volute Diffuser w/Wear Ring Medium Head: 3 HP | 154.61 | 159.25 |
| 18 | C101-126B | Volute Diffuser w/Wear Ring Medium Head: 5 HP | 161.34 | 166.18 |
| 18 | C101-132 | Volute Diffuser w/Wear Ring High Head: 3 HP, High Head: 5 HP | 161.34 | 166.18 |
| 19 | C21-2 | Diffuser Ring | 4.96 | 5.11 |
| 20 | C76-12 | Pump Body Medium Head: 3 HP, High Head: 5 HP | 688.19 | 708.84 |
| 20 | C76-12C | Pump Body - Medium Head: 5 HP | 743.16 | 765.45 |
| 20 | C76-12B | Pump Body - High Head: 3 HP | 683.83 | 704.34 |
| 21 | U78-941ZPV | Pipe Plug, 1/4 in. NPT ¹ | 1.39 | 1.43 |
| 22 | U30-60ZP | Capscrew 5/16-18 x 3/4 in. | 1.11 | 1.14 |
| NOT SHOWN | | | | |
| | U212-68T | Draincock, 1/4 in. NPT* | 5.03 | 5.18 |

¹ Purchase locally.

² Change effective 6/97.

³ Replaces U109-220 (effective 8/00).

Note: D Series with different numbers (i.e. DMH-64) use different parts. Consult factory for older models.