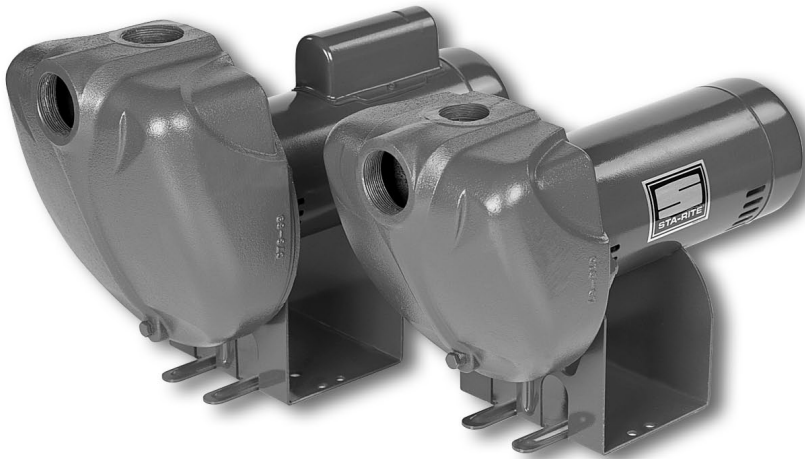


Self-Priming Centrifugal Pumps



The PRO-Storm™ Series of cast iron sprinklers offer superior unmatched performance, available in 1 HP through 2-1/2 HP models.*

The PRO-Storm models offer "single-body-fill" priming to 25-foot lifts, in less than 5 minutes!

The PRO-Storm models exceed the strict safety requirements of Underwriters Laboratory UL778, and CSA. Required by many state and local codes.

The PRO-Storm models are completely interchangeable with the original STA-RITE DS2 Series

models, saving costly plumbing "change-out" dollars and installation headaches!

**Single- and three-phase available.*

APPLICATIONS

- Residential irrigation pump... can be safely operated by timer or other automatic device
- Contractors... for dewatering excavation, water transfer and supply
- Agriculture seed bed and plot irrigation, stock watering
- Industrial sump drainage, marine pumping, liquid transfer and supply operations

ORDERING INFORMATION

HIGH HEAD

Catalog Number	HP	Voltage	Phase	Pipe Tapping Sizes		Approx. Wt. Lbs.
				Suction	Discharge	
DS3HE	1	115/230	1	2"	1-1/2"	52
DS3HE3	1	208-230/460	3	2"	1-1/2"	52
DS3HF	1-1/2	115/230	1	2"	1-1/2"	58
DS3HF3	1-1/2	208-230/460	3	2"	1-1/2"	58
DS3HG	2	115/230	1	2"	2"	83
DS3HG3	2	208-230/460	3	2"	2"	83
DS3HHG	2-1/2	115/230	1	2"	2"	85
DS3HHG3	2-1/2	208-230/460	3	2"	2"	85

NOTE: All single-phase motors shipped from the factory set at 230 volt.

SPECIFICATIONS

Body and Seal Plate – Close-grained cast iron

Impeller – Noryl®

Diffuser – Reinforced polypropylene

Shaft – One-piece threaded 300 grade stainless steel

Base – Steel, 10 gauge

Motor – 2-compartment

FEATURES

Rugged Construction – Close-grained cast iron body, specially treated for corrosion resistance.

Noryl Impeller – Precision-molded for perfect balance... ultra-smooth for highest performance and efficiency.

Precision Molded Diffuser – Pump primes faster, handles more air, with multi-port, precision-molded, reinforced polypropylene diffuser.

High Head Models – Deliver up to 145' of head with capacities to 95 GPM.

Easy Serviceability – Normal wearing parts are easily accessible for service and replacement, without disturbing piping or mounting.

Motor Windings – Superior insulation materials protect against excessive moisture and contaminants... ensures prolonged motor life.

Balanced Rotor – Die cast under high pressures for uniform performance and greater efficiency, dynamically balanced.

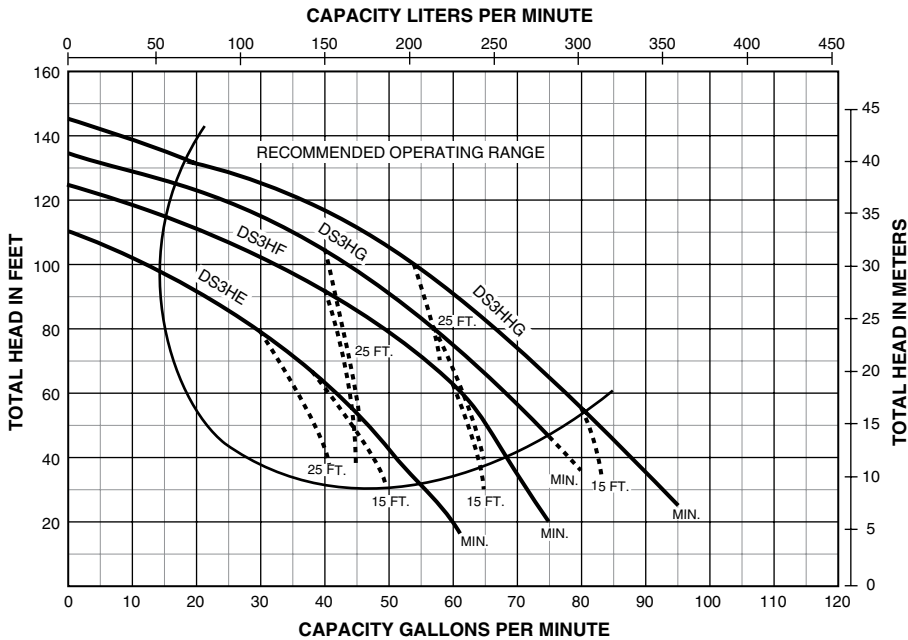
Drain Port – Provided for easy winterizing.

Noryl® is a registered trademark of General Electric Co. PRO-Source™ and PRO-Storm™ are trademarks of Pentair Water.

In order to provide the best products possible, specifications are subject to change.

Self-Priming Centrifugal Pumps

PUMP PERFORMANCE



NOTE: Dotted lines indicate performance reduction at high suction lift.

PUMP PERFORMANCE (Capacity in Gallons Per Minute)

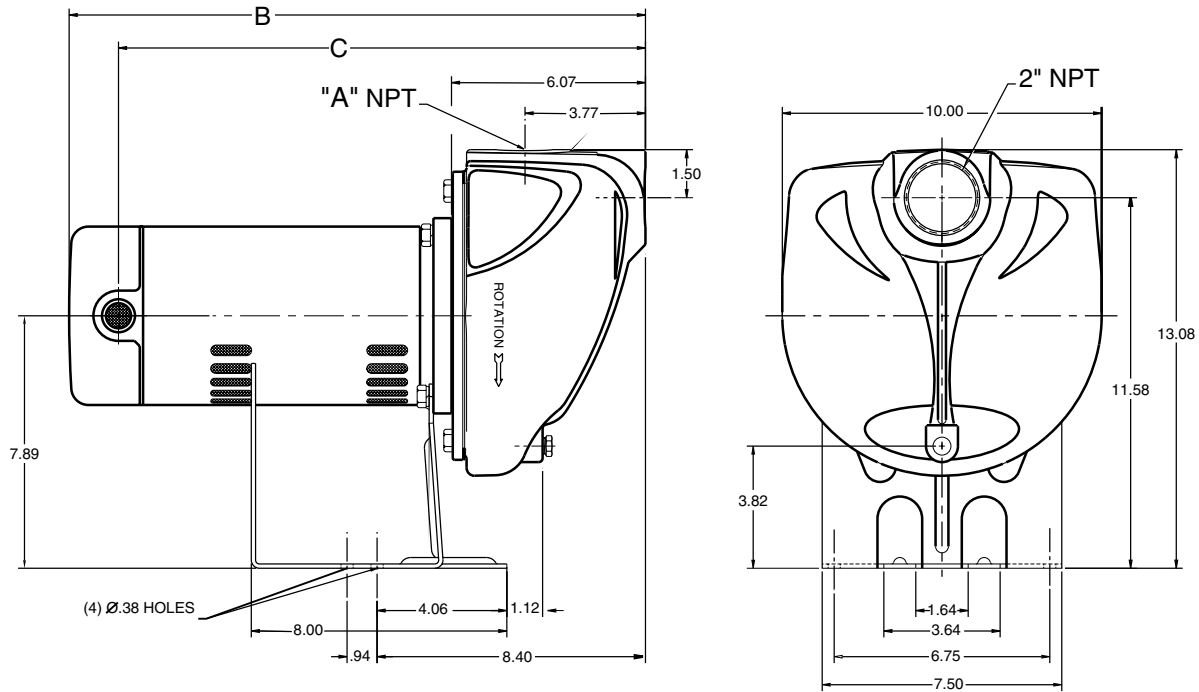
Catalog Number	HP	Discharge Pressure		Suction Lift in Feet				
		PSI	Feet Head	5'	10'	15'	20'	25'
DS3HE	1	20	46.2	48	45	40	37	33
		30	69.3	33	30	26	22	16
		40	92.4	15	10	—	—	—
DS3HF	1-1/2	20	46.2	64	62	60	57	54
		30	69.3	53	50	46	42	37
		40	92.4	35	30	25	19	—
DS3HG	2	20	46.2	72	70	67	65	62
		30	69.3	60	58	54	51	47
		40	92.4	45	42	37	30	27
		50	115.5	23	16	—	—	—
DS3HHG	2-1/2	20	46.2	83	80	77	74	71
		30	69.3	70	67	63	60	55
		40	92.4	56	52	48	40	35
		50	115.5	36	28	20	—	—

Tested and rated in accordance with Water Systems Council Standards.

NOTE: Pumps installed with a PRO-Source™ tank require a 100 PSI relief valve. Pumps installed with a conventional tank require a 75 PSI relief valve. Relief valve must be capable of relieving entire flow of pump at relief pressure.

Self-Priming Centrifugal Pumps

OUTLINE DIMENSIONS



Catalog Number	A NPT	B	C
DS3HE	1-1/2" NPT	17.04	15.60
DS3HE3	1-1/2" NPT	15.45	14.07
DS3HF	1-1/2" NPT	18.10	16.66
DS3HF3	1-1/2" NPT	15.95	14.48
DS3HG	2" NPT	18.54	17.10
DS3HG3	2" NPT	16.95	15.48
DS3HHG	2" NPT	18.85	17.41
DS3HHG3	2" NPT	17.69	16.23

Dimensions (in inches) are for estimating purposes only.