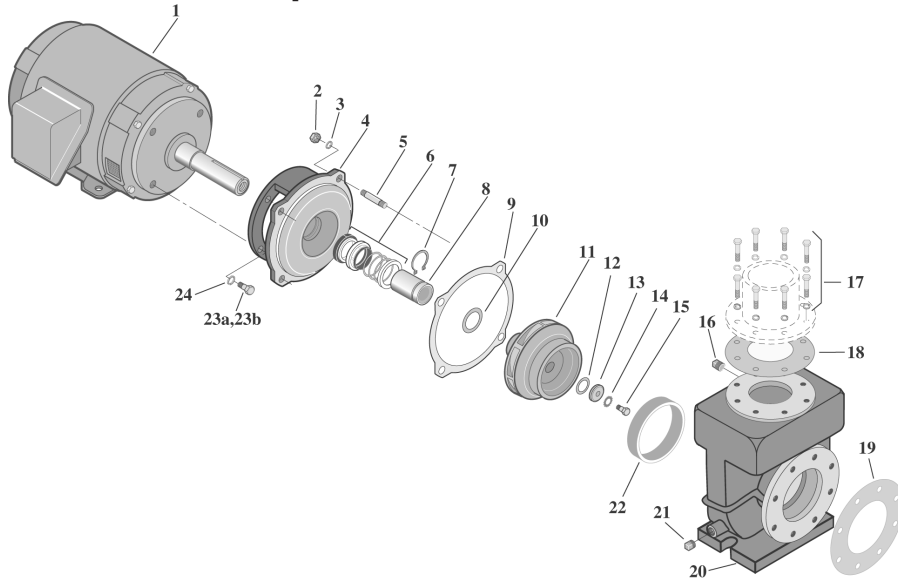


# CSPH/CCSPH Series™

## Replacement Parts



Item	Part No.	Description	US List	Can. List
<b>230 VOLT/1 PHASE OR 230/460 VOLT/3 PHASE</b>				
1	S22351	Motor 230V/1 Ph. - 7-1/2 HP (Models: CSPHK-1421, CCSPHK-1421, CSPHK3-1422, CCSPHK3-1422)	2114.99	2178.44
1	62500-0101	Motor 230V/1 Ph. - 10 HP (Models: CSPHL-143, CCSPHL-143M, CSPHL3-1431, CCSPHL3-1431)	CALL	CALL
1	S22353	Motor 230V/3 Ph. - 7-1/2 HP (Models: CSPHK-1421, CCSPHK-1421, CSPHK3-1422, CCSPHK3-1422)	CALL	CALL
1	S22356	Motor 230V/3 Ph. - 10 HP (Models: CSPHL-143, CCSPHL-143M, CSPHL3-1431, CCSPHL3-1431)	CALL	CALL
1	S22357	Motor 230V/3 Ph. - 15 HP (Models: CSPHM3-1441, CCSPHM3-1441)	CALL	CALL
1	S28574	Motor 230V/3 Ph. - 20 HP (Models: CSPHN3-1451, CCSPHN3-1451)	CALL	CALL
1	16830-0320	Motor 230V/3 Ph. 7-1/2 HP (Models: CSPH2K3-142, CSPH2K3-142)	1216.87	1253.38
1	16831-0320	Motor 200V/3 Ph. - 10 HP (Models: CSPH2L3-143, CCSPH2L3-143)	1731.59	1783.54
1	16832-0320	Motor 200V/3 Ph. - 15 HP (Models: CSPH2M3-144, CCSPH2M3-144)	2002.89	2062.98
1	16833-0320	Motor 200V/3 Ph. - 20 HP (Models: CSPH2N3-145, CCSPH2N3-145)	3027.08	3117.89
2	S23488	Nut, 1/2 in.	3.75	3.86
3	U43-135S	Lockwasher, 1/2 in.	CALL	CALL
3	U43-125S	Lockwasher, 3/8 in. <sup>2</sup>	2.33	2.40
4	L05329	Bracket - 7-1/2 HP (3 Ph. Models)	257.55	265.28
4	L05328	Bracket - 10 HP (CSPH, CSPH2 Models) - 15 HP (CSPH, CSPH2 Models) - 7-1/2 (CSPH, CSPH2 Models)	265.18	273.14
4	L05779	Bracket - 20 HP (CSPH, CSPH2 Models)	475.52	489.79
4	16830-2201	Bracket - 7-1/2 HP (3 Ph. Models)	1137.83	1171.96
4	16830-2203	Bracket - 10 HP (CCSPH, CCSPH2 Models) - 15 HP (CCSPH, CCSPH2 Models) - 7-1/2 HP (CCSPH, CCSPH2 Models)	1222.26	1258.93
4	16830-2202	Bracket - 20 HP (CCSPH, CCSPH2 Models)	891.27	918.01
5	30747-0152	Stud, 1/2-13 x 1-1/2 in.	25.11	25.86
6	S32014	Mechanical Shaft Seal	127.00	130.81
6	S32015	Mechanical Shaft Seal - 20 HP	273.85	282.07

Item	Part No.	Description	US List	Can. List
7	S11207	Retaining Ring	16.62	17.12
7	S16767	Retaining Ring - 20 HP (Models: CSPHN3-1451, CCSPHN3-1451)	36.92	38.03
8	37447-0001L	Shaft Sleeve	CALL	CALL
8	37447-0002L	Shaft Sleeve - 20 HP	CALL	CALL
9	S04757	Gasket (Volute to Bracket)	12.92	13.31
10	33455-8044	Gasket (Impeller to Shaft Sleeve)	6.24	6.43
10	33455-8046	Gasket (Impeller to Shaft Sleeve) - 20 HP	6.24	6.43
11	16830-0209	Impeller - 7-1/2 HP	1255.84	1293.52
11	16830-0210	Impeller - 10 HP	1132.29	1166.26
11	16830-0211	Impeller - 15 HP	1293.92	1332.74
11	16830-0212	Impeller - 20 HP	1553.96	1600.58
12	33455-8043	Gasket (Impeller to Washer)	6.24	6.43
12	33455-8045	Gasket (Impeller to Washer) - 20 HP	6.24	6.43
13	38917-0203	Impeller Washer	57.19	58.91
13	38917-0204	Impeller Washer - 20 HP (Models: CSPHN3-1451, CCSPHN3-1451)	68.64	70.70
14	C43-46SS	Stat-O-Seal Washer	14.42	14.85
14	C43-46SSA	Stat-O-Seal Washer - 20 HP (Models: CSPHN3-1451, CCSPHN3-1451)	18.36	18.91
15	S23566	Capscrew, 3/8-16 x 1 in. <sup>1</sup>	3.98	4.10
15	S23619	Capscrew, 1/2-13 x 1 in. <sup>2</sup>	5.96	6.14
16	U78-57DT	Pipe Plug 1/4 in. NPT	3.44	3.54
17	16830-0400	Hardware Kit	65.27	67.23
18	33450-8042	Gasket (Volute Discharge)	15.21	15.67
19	33450-8041	Gasket (Volute Suction)	21.39	22.03
20	16830-0100	Volute (CSPH, CSPH2)	3058.07	3149.81
20	16830-2102	Volute (CCSPH) - 7-1/2 HP, 10 HP	5561.01	5727.84
20	16830-2103	Volute (CCSPH) - 15 HP, 20 HP <sup>1</sup>	5598.48	5766.43
20	16830-0100	Volute (CSPH2, CSPH2)	3058.07	3149.81
20	16830-2102	Volute (CCSPH2) - 7-1/2 HP, 10 HP	5561.01	5727.84
21	U78-59D	Drain Plug, 1/2 in. NPT	8.39	8.64
22	16830-0120	Wear Ring	96.61	99.51
23A	S23619	Capscrew, 1/2-13 x 1 in. <sup>1</sup>	5.96	6.14
23B	S23566	Capscrew, 3/8-16 x 1 in. <sup>2</sup>	3.98	4.10
24	U43-135S	Lockwasher, 1/2 in.	CALL	CALL

<sup>1</sup> 7-1/2 HP; 1 Phase only.

<sup>2</sup> 3 Phase only.