

CSP/CCSP Series™ Commercial Pump

Commercial Self-Priming Pump



Especially designed for commercial and public swimming pools and spas, aquatic facilities, water parks and fountain applications where high performance and self-priming are required. Pump has enclosed bronze impeller and standard 6 in. x 4 in. A.N.S.I. flange connections (D.I.N. option available for 50 Hz models). The pump strainer (order separately) has capacity of 1,100 cubic inches. Both pump and strainer can be ordered with optional epoxy coated castings to provide additional performance and corrosion resistance.

CSP/CCSP Series™ Commercial Self-Priming Pump

Ordering Information

Product	Voltage	Amps ¹	HP	SF	SFHP	Primary Listings and Certifications ⁴	Port Size (ANSI Flange)	Carton Wt. (Lbs.)	Curve Key
NEMA STANDARD EFFICIENCY SINGLE PHASE CAST IRON									
CSPHK-142	230	39	7.5	1.15	8.63	NSF ²	6 in. x 4 in.	270	A
CSPHL-143	230	46	10	1.15	11.50	NSF ²	6 in. x 4 in.	275	B
NEMA STANDARD EFFICIENCY SINGLE PHASE EPOXY COATED CAST IRON									
CCSPHK-142	230	39	7.5	1.15	8.63	NSF ²	6 in. x 4 in.	270	E
CCSPHL-143	230	46	10	1.15	11.50	NSF ²	6 in. x 4 in.	275	F
NEMA STANDARD EFFICIENCY THREE PHASE CAST IRON									
CSPHK3-142	208-230/460	21.2-19.2/9.6	7-1/2	1.25	9.38	NSF ²	6 in. x 4 in.	265	A
CSPHL3-143	208-230/460	27.6-24.4/12.2	10	1.25	12.50	NSF ²	6 in. x 4 in.	270	B
CSPHM3-144	208-230/460	44.2-40/20	15	1.25	18.75	NSF ²	6 in. x 4 in.	280	C
CSPHN3-145	208-230/460	55.3-50/25	20	1.25	25.00	NSF ²	6 in. x 4 in.	325	D
NEMA STANDARD EFFICIENCY THREE PHASE CAST IRON - 200V									
CSPH2K3-142	200	22.1	7-1/2	1.15	8.63	NSF ²	6 in. x 4 in.	265	A
CSPH2L3-143	200	28.1	10	1.25	12.50	NSF ²	6 in. x 4 in.	270	B
CSPH2M3-144	200	42.3	15	1.25	18.75	NSF ²	6 in. x 4 in.	280	C
CSPH2N3-145	200	57.3	20	1.25	25.00	NSF ²	6 in. x 4 in.	350	D
NEMA STANDARD EFFICIENCY THREE PHASE EPOXY COATED CAST IRON									
CCSPHK3-142	208-230/460	21.2-19.2/9.6	7-1/2	1.25	9.38	NSF ²	6 in. x 4 in.	265	E
CCSPHL3-143	208-230/460	27.6-24.4/12.2	10	1.25	12.50	NSF ²	6 in. x 4 in.	270	F
CCSPHM3-144	208-230/460	44.2-40/20	15	1.25	18.75	NSF ²	6 in. x 4 in.	280	G
CCSPHN3-145	208-230/460	55.3-50/25	20	1.25	25.00	NSF ²	6 in. x 4 in.	325	H
NEMA STANDARD EFFICIENCY THREE PHASE EPOXY COATED CAST IRON - 200 V									
CCSPH2K3-142	200	22.1	7-1/2	1.15	8.63	NSF ²	6 in. x 4 in.	265	E
CCSPH2L3-143	200	28.1	10	1.25	12.50	NSF ²	6 in. x 4 in.	270	F
CCSPH2M3-144	200	42.3	15	1.25	18.75	NSF ²	6 in. x 4 in.	280	G
CCSPH2N3-145	200	57.3	20	1.25	25.00	NSF ²	6 in. x 4 in.	350	H
ACCESSORIES FOR CSP/CCSP SERIES									
PKG 184	Strainer for CSP/CCSP 6 in. ANSI flange (1,100 cu. in. capacity)					NSF ³	6 in. x 6 in.	180	I
PKG 184C	Same as PKG 184 Except Strainer is Epoxy Coated					NSF ³	6 in. x 6 in.	180	I
357262	Flange 4 in. w/gasket and SS hardware ⁵							20	
357263	Flange 6 in. w/gasket and SS hardware ⁵							23	

¹ Amp draw may vary depending on motor manufacturer.

² 'NSF(1)' indicates that pump bears a NSF mark signifying evaluation to NSF Standard 50 For Self-Priming Centrifugal Pumps For Swimming Pools And Spas.

³ 'NSF(2)' indicates that product bears a NSF mark signifying evaluation to NSF Standard 50 For Materials and Components.

⁴ Product may have been evaluated to other state and local regulatory standards. Listing status may change. Always confirm status with appropriate agency if in doubt.

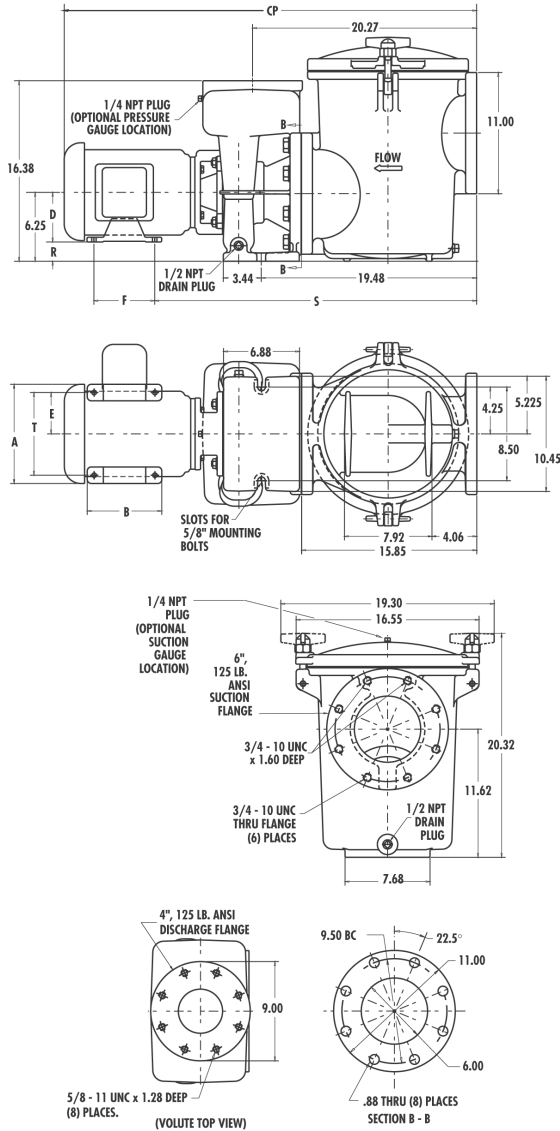
⁵ Thermoplastic PVC socket style.

CSP/CCSP Series™ Commercial Pump (Cont'd)

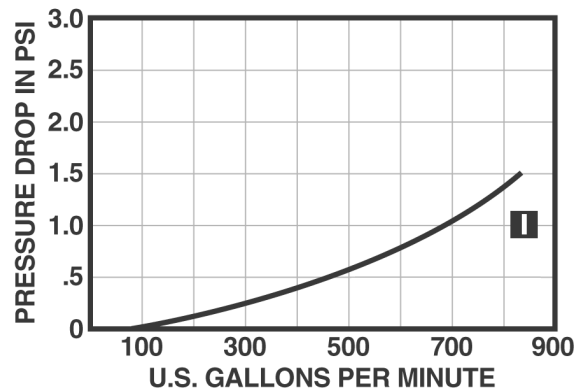
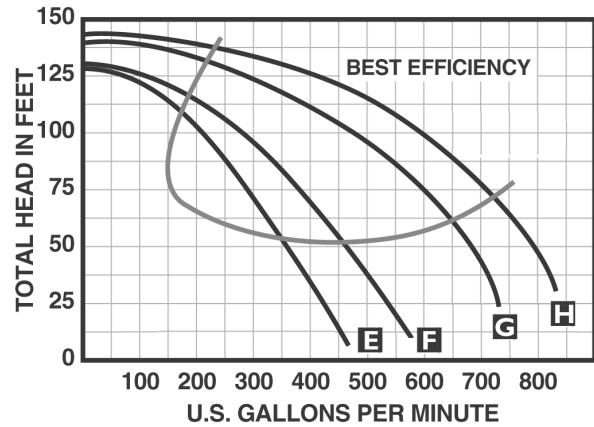
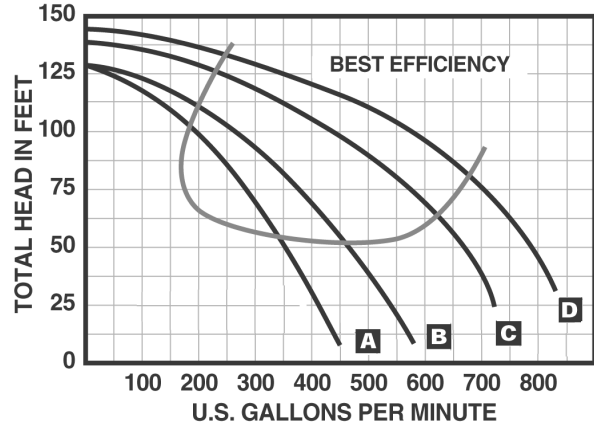
Commercial Self-Priming Pump

Options: CCSP Models feature special epoxy coated castings for maximum performance and corrosion resistance. 60 Hz T.E.F.C., 60 Hz premium efficiency, or 575 volt motors available.

Note: Maximum ambient temperature for motor is 104°F (40°C). All pump motors require external overload protection (magnetic starter). Pump strainer must be ordered separately. Full load amps on motor model plate.



Dimensions and Performance



Catalog Number	A	B	CP	D	E	F	R	S	T
CSPHK, CCSPHK	10.62	7.00	39.44	5.25	4.25	5.50	1.00	30.00	8.50
CSPHK3, CCSPHK3, CSPH2K3	9.00	6.75	40.31	4.50	3.75	5.50	1.75	29.13	7.50
CSPHL, CCSPHL	10.35	8.26	42.69	5.25	4.25	7.00	1.00	30.00	8.50
CSPHL3, CCSPHL3	10.62	7.00	41.00	5.25	4.25	5.50	1.00	30.00	8.50
CSPHM3, CCSPHM3	10.62	8.50	42.50	5.25	4.25	7.00	1.00	30.00	8.50
CSPH2L3, CSPH2M3	10.62	8.50	42.50	5.25	4.25	7.00	1.00	30.00	8.50
CSPHN3, CCSPHN3	12.50	10.80	46.75	6.25	5.00	8.20	0.00	31.62	10.00
CSPH2N3, CCSPH2N3	13.38	12.44	48.50	6.25	5.00	10.00	0.00	31.65	10.00

All dimensions shown in inches.

See page 518 for replacement parts.