

C Series® Commercial Bronze Pumps

With Hair and Lint Strainer



Featured Highlights

- Large commercial pump with s/s basket
- Easy serviceability
- All-bronze construction for strength and durability
- 6 in. suction and 4 in. discharge for maximum capabilities
- Heavy-gauge stainless steel strainer basket with an open area 5 times the area of the suction port
- Closed impeller for longer motor bearing life
- Heat-resistant seal capable of operation at up to 150°
- Available in single and three-phase, 50 and 60-Hertz models



C Series® Commercial Bronze Pump

Bronze volute and pot, coated cast iron foot, flanged connections, 6 in. suction, 4 in. discharge.

Ordering Information

Product	Description	Voltage	Amps	HP	SF	SFHP	Primary Listings and Certifications ²	Port Size (ANSI Flange)	Carton Wt. (Lbs.)	Curve Key
NEMA STANDARD EFFICIENCY SINGLE PHASE 230V										
011651	CM-50	230	24.0	5	1.15	5.75	NSF ¹	6 in. x 4 in.	352	F
011656	CH-50	230	24.0	5	1.15	5.75	NSF ¹	6 in. x 4 in.	352	A
347917	CM-75	230	37.0	7-1/2	1.15	8.63	NSF ¹	6 in. x 4 in.	375	G
347916	CH-75	230	37.0	7-1/2	1.15	8.63	NSF ¹	6 in. x 4 in.	375	B
347964	CM-100	230	51.0	10	1.15	11.50	NSF ¹	6 in. x 4 in.	370	H
347963	CH-100	230	51.0	10	1.15	11.50	NSF ¹	6 in. x 4 in.	370	C
NEMA STANDARD EFFICIENCY SINGLE PHASE 200 - 208V										
347938	CM-50	200-208	29.0	5	1.15	5.75	NSF ¹	6 in. x 4 in.	322	F
347939	CH-50	200-208	29.0	5	1.15	5.75	NSF ¹	6 in. x 4 in.	322	A
348001	CM-75	200-208	42.6	7-1/2	1.15	8.63	NSF ¹	6 in. x 4 in.	375	G
348005	CH-75	200-208	42.6	7-1/2	1.15	8.63	NSF ¹	6 in. x 4 in.	375	B
NEMA STANDARD EFFICIENCY THREE PHASE 200 - 208V										
347940	CMK-50	200-208	16.1	5	1.15	5.75	NSF ¹	6 in. x 4 in.	346	F
347941	CHK-50	200-208	16.1	5	1.15	5.75	NSF ¹	6 in. x 4 in.	350	A
347942	CMK-75	200-208	22.3	7-1/2	1.15	8.63	NSF ¹	6 in. x 4 in.	346	G
347943	CHK-75	200-208	22.3	7-1/2	1.15	8.63	NSF ¹	6 in. x 4 in.	346	B
347944	CMK-100	200-208	28.7	10	1.15	11.50	NSF ¹	6 in. x 4 in.	370	H
347945	CHK-100	200-208	28.7	10	1.15	11.50	NSF ¹	6 in. x 4 in.	356	C
347946	CMK-150	200-208	43.5	15	1.15	17.25	NSF ¹	6 in. x 4 in.	369	I
347947	CHK-150	200-208	43.5	15	1.15	17.25	NSF ¹	6 in. x 4 in.	350	D
347948	CHK-200	200-208	54.0	20	1.15	23.00	NSF ¹	6 in. x 4 in.	406	E
NEMA STANDARD EFFICIENCY THREE PHASE 220/440V										
011652	CMK-50	220/440	13.0/6.5	5	1.15	5.75	NSF ¹	6 in. x 4 in.	336	F
011657	CHK-50	220/440	13.0/6.5	5	1.15	5.75	NSF ¹	6 in. x 4 in.	336	A
011653	CMK-75	220/440	18.4/9.2	7-1/2	1.15	8.63	NSF ¹	6 in. x 4 in.	346	G
011658	CHK-75	220/440	18.4/9.2	7-1/2	1.15	8.63	NSF ¹	6 in. x 4 in.	349	B
011654	CMK-100	220/440	25.3/12.6	10	1.15	11.50	NSF ¹	6 in. x 4 in.	374	H
011659	CHK-100	220/440	25.3/12.6	10	1.15	11.50	NSF ¹	6 in. x 4 in.	376	C
011655	CMK-150	220/440	37.5/18.8	15	1.15	17.25	NSF ¹	6 in. x 4 in.	396	I
011660	CHK-150	220/440	37.5/18.8	15	1.15	17.25	NSF ¹	6 in. x 4 in.	398	D
011661	CHK-200	220/440	49.0/24.6	20	1.15	23.00	NSF ¹	6 in. x 4 in.	403	E

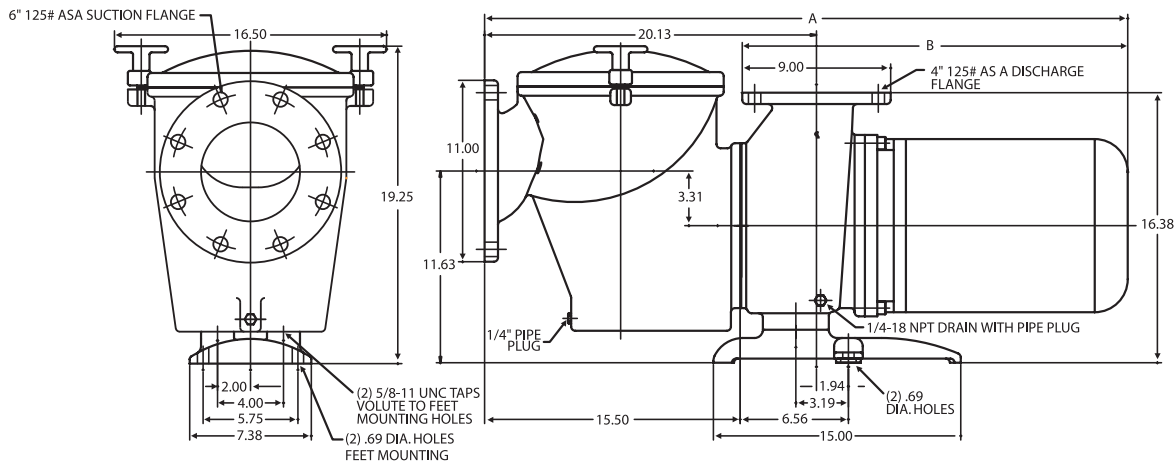
C Series® Commercial Bronze Pumps (Cont'd)

With Hair and Lint Strainer

Product	Description	Voltage	Amps	HP	SF	SFHP	Primary Listings and Certifications ²	Port Size (ANSI Flange)	Carton Wt. (Lbs.)	Curve Key
NEMA STANDARD EFFICIENCY THREE PHASE 575V										
347931	CMK-50	575	5.6	5	1.15	5.75	NSF ¹	6 in. x 4 in.	336	F
347967	CHK-50	575	5.6	5	1.15	5.75	NSF ¹	6 in. x 4 in.	336	A
347936	CMK-75	575	7.7	7-1/2	1.15	8.63	NSF ¹	6 in. x 4 in.	349	G
347937	CHK-75	575	7.7	7-1/2	1.15	8.63	NSF ¹	6 in. x 4 in.	349	B
347932	CMK-100	575	10.0	10	1.15	11.50	NSF ¹	6 in. x 4 in.	374	H
347968	CHK-100	575	10.0	10	1.15	11.50	NSF ¹	6 in. x 4 in.	374	C
347934	CMK-150	575	15.2	15	1.15	17.25	NSF ¹	6 in. x 4 in.	398	I
347933	CHK-150	575	15.2	15	1.15	17.25	NSF ¹	6 in. x 4 in.	398	D
347935	CHK-200	575	19.5	20	1.15	23.00	NSF ¹	6 in. x 4 in.	406	E
NEMA STANDARD EFFICIENCY THREE PHASE 380-415V- 50 HZ										
014900	CMKL-50	380-415	7.5-6.8	5	1.15	5.75		6 in. x 4 in.	336	
014880	CHKL-50	380-415	7.5-6.8	5	1.15	5.75		6 in. x 4 in.	336	
014901	CMKL-75	380-415	11.0-10.0	7-1/2	1.00	7-1/2		6 in. x 4 in.	346	
014881	CHKL-75	380-415	11.0-10.0	7-1/2	1.00	7-1/2		6 in. x 4 in.	346	
014902	CMKL-100	380-415	14.5-14.6	10	1.15	11.50		6 in. x 4 in.	376	
014882	CHKL-100	380-415	14.5-14.6	10	1.15	11.50		6 in. x 4 in.	374	
014903	CMKL-150	380-415	20.5-19.0	15	1.15	17.25		6 in. x 4 in.	398	
014883	CHKL-150	380-415	20.5-19.0	15	1.15	17.25		6 in. x 4 in.	396	
014884	CHKL-200	380-415	28.0-26.0	20	1.15	23.00		6 in. x 4 in.	403	

¹ 'NSF(1)' indicates that pump bears a NSF mark signifying evaluation to NSF Standard 50 For Non Self-Priming Centrifugal Pumps For Swimming Pools, Spas and Hot Tubs.

² Product may have been evaluated to other state and local regulatory standards. Listing status may change. Always confirm status with appropriate agency if in doubt.



PUMP DIMENSIONS				
THREE-PHASE AMPS @ 220/440 & 380/415 V				
HP	AMPS	A	B	
5	14	34.88	19.50	
7.5	20	35.88	20.50	
10	26	36.88	22.50	
15	38	37.38	22.00	
20	46	37.88	23.50	

PUMP DIMENSIONS				
SINGLE-PHASE AMPS @ 230 VOLTS				
HP	AMPS	A	B	
5	26	35.50	20.50	
7.5	37	35.88	20.50	

PUMP DIMENSIONS				
SINGLE-PHASE AMPS @ 200 VOLTS				
HP	AMPS	A	B	
5	29	35.50	20.50	
7.5	39.6	35.88	20.50	

NOTES:

1. BOTH "A" AND "B" DIMENSIONS ARE APPROXIMATE IT DEPENDS ON MOTOR MANUFACTURER.

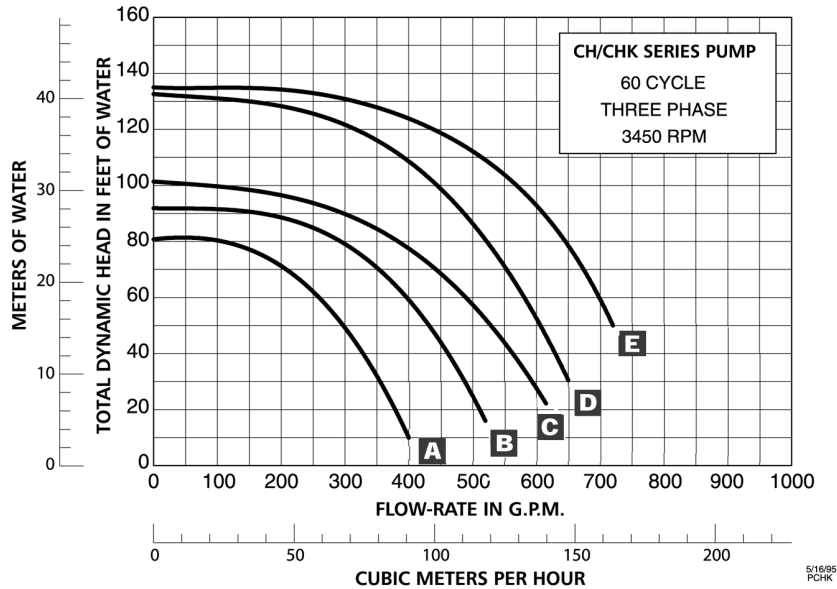
2. ALL DIMENSIONS ARE IN INCHES AND MAY VARY ± .25.

C Series® Commercial Bronze Pumps (Cont'd)

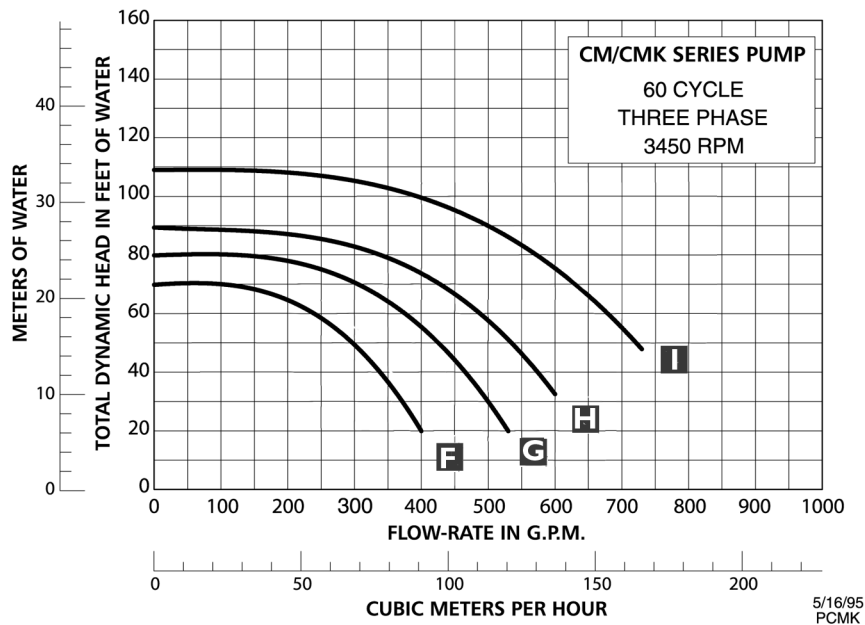
With Hair and Lint Strainer

Dimensions and Performance

**PUMP PERFORMANCE CURVE
CH/CHK SERIES PUMP - 60HZ**



**PUMP PERFORMANCE CURVE
CM/CMK SERIES PUMP -60HZ**



See pages 512–513 for replacement parts.

C Series® Commercial Bronze Pumps (Cont'd)

Without Hair and Lint Strainer



C Series® Commercial Pump Without Hair and Lint Strainer

Bronze construction, coated cast iron foot, flanged connections. 5 in. suction, 4 in. discharge.

Featured Highlights

- High performance motors for maximum flow
- All-bronze construction for strength and durability
- 5 in. suction and 4 in. discharge for maximum capabilities
- Closed impeller for longer motor bearing life
- Heat-resistant seal capable of operation at up to 150°
- Available in single and three-phase, 50 and 60-hertz models

Ordering Information

Product	Description	Voltage	Amps	HP	SF	SFHP	Primary Listings and Certifications ³	Port Size (ANSI Flange)	Carton Wt. (Lbs.)	Curve Key
NEMA STANDARD EFFICIENCY SINGLE PHASE 230V										
011605	CH-50	230	24.0	5	1.15	5.75	NSF ²	5 in. x 4 in.	302	A
347966	CM-100	230	51.0	10	1.15	11.50	NSF ²	5 in. x 4 in.	326	H
347965	CH-100	230	51.0	10	1.15	11.50	NSF ²	5 in. x 4 in.	326	C
NEMA STANDARD EFFICIENCY SINGLE PHASE 200-208V										
347949	CM-50	200-208	29.0	5	1.15	5.75	NSF ²	5 in. x 4 in.	302	F
347950	CH-50	200-208	29.0	5	1.15	5.75	NSF ²	5 in. x 4 in.	302	A
347961	CM-75	200-208	42.6	7-1/2	1.15	8.63	NSF ²	5 in. x 4 in.	315	G
347960	CH-75	200-208	42.6	7-1/2	1.15	8.63	NSF ²	5 in. x 4 in.	315	B
NEMA STANDARD EFFICIENCY THREE PHASE 200-208V										
347951	CMK-50	200-208	16.1	5	1.15	5.75	NSF ²	5 in. x 4 in.	296	F
347952	CHK-50	200-208	16.1	5	1.15	5.75	NSF ²	5 in. x 4 in.	300	A
347953	CMK-75	200-208	22.3	7-1/2	1.15	8.63	NSF ²	5 in. x 4 in.	296	G
347954	CHK-75	200-208	22.3	7-1/2	1.15	8.63	NSF ²	5 in. x 4 in.	296	B
347955	CMK-100	200-208	28.7	10	1.15	11.50	NSF ²	5 in. x 4 in.	320	H
347956	CHK-100	200-208	28.7	10	1.15	11.50	NSF ²	5 in. x 4 in.	306	C
347957	CMK-150	200-208	43.5	15	1.15	17.25	NSF ²	5 in. x 4 in.	319	I
347958	CHK-150	200-208	43.5	15	1.15	17.25	NSF ²	5 in. x 4 in.	300	D
347959	CHK-200	200-208	54.0	20	1.15	23.00	NSF ²	5 in. x 4 in.	356	E

C Series® Commercial Bronze Pumps (Cont'd)

Ordering Information

Product	Description	Voltage	Amps	HP	SF	SFHP	Primary Listings and Certifications ³	Port Size (ANSI Flange)	Carton Wt. (Lbs.)	Curve Key
NEMA STANDARD EFFICIENCY THREE PHASE 220/440V										
011601	CMK-50	220/440	13.0/6.5	5	1.15	5.75	NSF ²	5 in. x 4 in.	286	F
011606	CHK-50	220/440	13.0/6.5	5	1.15	5.75	NSF ²	5 in. x 4 in.	286	A
011602	CMK-75	220/440	18.4/9.2	7-1/2	1.15	8.63	NSF ²	5 in. x 4 in.	296	G
011607	CHK-75	220/440	18.4/9.2	7-1/2	1.15	8.63	NSF ²	5 in. x 4 in.	296	B
011603	CMK-100	220/440	25.3/12.6	10	1.15	11.50	NSF ²	5 in. x 4 in.	326	H
011608	CHK-100	220/440	25.3/12.6	10	1.15	11.50	NSF ²	5 in. x 4 in.	324	C
011604	CMK-150	220/440	37.5/18.8	15	1.15	17.25	NSF ²	5 in. x 4 in.	348	I
011609	CHK-150	220/440	37.5/18.8	15	1.15	17.25	NSF ²	5 in. x 4 in.	346	D
011610	CHK-200	220/440	49.0/24.6	20	1.15	23.00	NSF ²	5 in. x 4 in.	353	E
C SERIES & AURORA PUMP ACCESSORIES FLANGE ASSEMBLY KITS										
357260	Flange 5 in. w/gasket and SS hardware ¹								22	
357262	Flange 4 in. w/gasket and SS hardware ¹								20	
357263	Flange 6 in. w/gasket and SS hardware ¹								23	

¹ Thermoplastic PVC socket style

² 'NSF(1)' indicates that pump bears a NSF mark signifying evaluation to NSF Standard 50 For Non Self-Priming Centrifugal Pumps For Swimming Pools, Spas and Hot Tubs.

³ Product may have been evaluated to other state and local regulatory standards. Listing status may change. Always confirm status with appropriate agency if in doubt.

Dimensions and Performance

See C Series with Hair and Lint Strainer for Dimension and Performance Information.