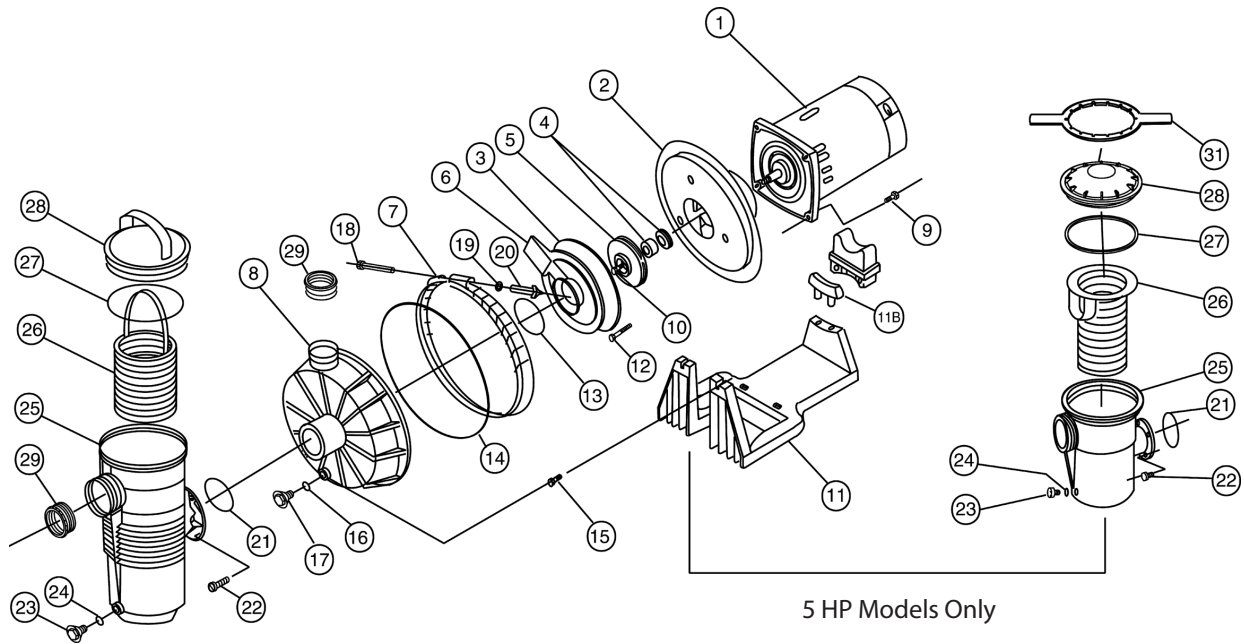


# Challenger® High Flow Pump

## Replacement Parts for Swimming Pool Pumps



| Item                              | Part No. | Description   | US List | Can. List |
|-----------------------------------|----------|---|---------|-----------|
| <b>CHALLENGER HIGH FLOW PUMPS</b> |          |   |         |           |
| <b>MOTORS</b>                     |          |   |         |           |
| 1                                 | 355371S  | 1/2F, 1/4A std. sq. flg., 115/230, 25 lbs.              | 254.50  | 262.14    |
| 1                                 | 355339S  | 3/4F, 1A std. sq. flg., 115/230, 25 lbs.                | 288.64  | 297.30    |
| 1                                 | 355340S  | 1F, 1-1/2A std. sq. flg., 115/230, 28 lbs.              | 320.88  | 330.51    |
| 1                                 | 355342S  | 1-1/2F, 2A std. sq. flg., 230 only, 32 lbs.             | 397.58  | 409.51    |
| 1                                 | 355702S  | 2F, 2-1/2A std. sq. flg., 230 only, 32 lbs.             | 469.60  | 483.69    |
| 1                                 | 355703S  | 3F std. sq. flg. 230 only                               | 610.94  | 629.27    |
| 1                                 | 355391S  | 3/4FE, 1AE sq. flg. 115/208/230, 32 lbs.                | 308.36  | 317.61    |
| 1                                 | 355392S  | 1FE, 1-1/2AE sq. flg. 115/208/230, 34 lbs.              | 334.84  | 344.89    |
| 1                                 | 355393S  | 1-1/2FE, 2AE sq. flg. 208/230, 30 lbs.                  | 407.60  | 419.83    |
| 1                                 | 355394S  | 2FE, 2-1/2AE sq. flg. 208/230, 36 lbs.                  | 485.81  | 500.38    |
| 1                                 | 355395S  | 3FE, 1 ph sq. flg. 208/230, 40 lbs.                     | 614.07  | 632.49    |
| 1                                 | 355398S  | 3FE, 3 ph sq. flg. 208/230/460, 22 lbs., black          | 625.81  | 644.58    |
| 1                                 | 355375S  | 3/4F, 1A std. sq. flg. 2 sp. 115 only, 28 lbs.          | 419.80  | 432.39    |
| 1                                 | 355232S  | 3/4F, 1A std. sq. flg. 2 sp. 230 only, 28 lbs.          | 381.38  | 392.82    |
| 1                                 | 355376S  | 1F, 1-1/2A std. sq. flg. 2 sp. 230 only, 33 lbs., black | 431.88  | 444.84    |
| 1                                 | 355377S  | 1-1/2F, 2A std. sq. flg. 2 sp. 230 only, 36 lbs.        | 522.86  | 538.55    |
| 1                                 | 355378S  | 2F, 2-1/2A std. sq. flg. 2 sp. 230 only, 39 lbs.        | 653.63  | 673.24    |
| 1                                 | 355704S  | 5FE, 3 ph, 5 HP, 230/460 sq. flg. only                  | 760.69  | 783.51    |

| Item | Part No. | Description                            | US List | Can. List |
|------|----------|--|---------|-----------|
| 1    | 355705S  | 5FE, 1 ph, 5 HP                        | 766.38  | 789.37    |
| 1    | 355201S  | 3/4 HP, 3 ph sq. flg. CHII-NI          | 329.10  | 338.97    |
| 1    | 355203S  | 1 HP, 3 ph sq. flg. CHII-NI            | 372.69  | 383.87    |
| 1    | 355204S  | 1-1/2 HP, 3 ph sq. flg. CHII-NI        | 464.89  | 478.84    |
| 1    | 355205S  | 2 HP, 3 ph sq. flg. CHII-NI            | 516.98  | 532.49    |
| 2    | 355004   | Plate, seal - black                    | 86.89   | 89.50     |
| 3    | 355028   | Plate, mounting 1/2F, 3/4F, 3/4A, 1A   | 20.26   | 20.87     |
| 3    | 355078   | Plate, mounting 1F, 1-1/2F, 1-1/2A, 2A | 12.75   | 13.13     |
| 3    | 355095   | Plate, mounting 2F, 2-1/2A             | 22.01   | 22.67     |
| 3    | 355495   | Plate, mounting 5F                     | 11.77   | 12.12     |
| 4    | 354545S  | Seal, 5/8 in. mechanical               | 24.48   | 25.21     |
| 5    | 355043   | Impeller, 1/2F, 3/4A                   | 46.54   | 47.94     |
| 5    | 355067   | Impeller, 3/4F, 1A                     | 47.46   | 48.88     |
| 5    | 355074   | Impeller, 1F, 1-1/2A                   | 48.04   | 49.48     |
| 5    | 355086   | Impeller, 1-1/2F, 2A                   | 48.36   | 49.81     |
| 5    | 355093   | Impeller, 2F, 2-1/2A                   | 49.25   | 50.73     |
| 5    | 355068   | Impeller, 3F 50 Hz/5F 60 Hz            | 47.46   | 48.88     |
| 6    | 355029   | Diffuser, 1/2F, 3/4F, 3/4A, 1A         | 34.58   | 35.62     |
| 6    | 355077   | Diffuser, 1F, 1-1/2F, 1-1/2A, 2A       | 34.58   | 35.62     |
| 6    | 355094   | Diffuser, 2F, 2-1/2A                   | 37.07   | 38.18     |
| 6    | 355069   | Diffuser, 3F, 50 Hz/5F 60 Hz           | 31.99   | 32.95     |
| 7    | 355320   | Band clamp assembly, complete          | 74.10   | 76.32     |

# Challenger® High Flow Pump (Cont'd)

## Replacement Parts



| Item                              | Part No. | Description  | US List | Can. List |
|-----------------------------------|----------|--|---------|-----------|
| <b>CHALLENGER HIGH FLOW PUMPS</b> |          |  |         |           |
| 8                                 | 355468   | Housing, front, black <sup>4</sup>                                       | 126.85  | 130.66    |
| 8                                 | 355469   | Housing, front, almond <sup>4</sup>                                      | 126.85  | 130.66    |
| 9                                 | 354290   | Screw, 3/8 in., 16 hex hd., 4 req.                                       | 2.27    | 2.34      |
| 10                                | 355389   | Screw, impeller locking  | 1.33    | 1.37      |
| 11                                | 355305   | Base, pump <sup>1</sup>  | 42.30   | 43.57     |
| 11B                               | 355385   | Adapter, 5-5/8 in. dia. motor <sup>2</sup>                               | 10.80   | 11.12     |
| 12                                | 355334   | Screw, No.8, 32 hex wsh. hd., 3 req.                                     | 1.33    | 1.37      |
| 13                                | 355030   | O-ring, diffuser (all except 5 HP)                                       | 8.01    | 8.25      |
| 13                                | 355331   | O-ring diffuser, 5 HP only   | 1.43    | 1.47      |
| 14                                | 355329   | O-ring, front housing  | 14.35   | 14.78     |
| 15                                | 355335   | Screw, 5/16, 18 x 1/2 in. SS hex hd., 2 req.                             | 1.33    | 1.37      |
| 16                                | 192115   | O-ring, drain plug   | 1.08    | 1.11      |
| 17                                | 154699   | Plug, 1/4 in. drain  | CALL    | CALL      |
| 18                                | 152060   | Bolt, 5/16, 18 x 4 in. carriage <sup>2</sup>                             | 9.16    | 9.43      |
| 19                                | 072173   | Washer, 5/16 in. SS flat   | 1.51    | 1.56      |
| 20                                | 174882   | Knob (fits clamp w/removable bolt only)                                  | 30.09   | 30.99     |
| 20                                | 175025   | Knob (fits clamp w/captured T-bolt only)                                 | 30.09   | 30.99     |
| 21                                | 355330   | O-ring, strainer pot flange  | 1.51    | 1.56      |
| 22                                | 354265   | Screw, 5/16, 18 hex wsh. hd., 4 req.                                     | 1.83    | 1.88      |
| 23                                | 154699   | Plug, 1/4 in. drain  | CALL    | CALL      |
| 24                                | 192115   | O-ring, drain plug   | 1.08    | 1.11      |
| 25                                | 355300   | Strainer, pot, black <sup>3</sup>  | 125.05  | 128.80    |
| 25                                | 355900   | Strainer, pot, 5F 3 in. suction for all large strainer pot models, black | 447.90  | 461.34    |
| 26                                | 355318   | Basket, plastic strainer   | 35.10   | 36.15     |
| 26                                | 355441   | Basket, SS Strainer (3F Only)  | 161.65  | 166.50    |
| 26                                | 355901   | Basket, SS strainer, 5F  | 350.43  | 360.94    |
| 27                                | 350013   | O-ring, lid  | 2.63    | 2.71      |
| 27                                | 152509   | Square ring, 8-1/2 in. (5 HP only)                                       | 6.27    | 6.46      |
| 28                                | 355301   | Lid, strainer pot  | 55.06   | 56.71     |
| 28                                | 354112   | Lid, strainer pot, chemical resistant                                    | 55.06   | 56.71     |
| 28                                | 355902   | Lid, strainer pot, 5F, clear   | 63.87   | 65.79     |
| 28                                | 355914   | Lid, strainer pot, 5F, black, chemical resistant                         | 53.72   | 55.33     |
| 29                                | 552377   | Bushing, reducer 1/2F, 3/4F, 3/4A, 1A, 2 req.                            | 12.23   | 12.60     |

| Item   | Part No. | Description  | US List | Can. List |
|--|----------|--|---------|-----------|
| 31   | 154527   | Wrench, 8-1/2 in.  | 25.07   | 25.82     |
| <b>POWER END ASSEMBLIES (INCLUDES ITEMS 1-6, 9, 12 AND 13)</b> |          |  |         |           |
|  | 355636   | CF-N1-1/2F, 3/4A std., 115/230   | 832.17  | 857.14    |
|  | 355637   | CF-N1-3/4F, 1A std., 115/230   | 901.56  | 928.61    |
|  | 355638   | CF-N1-1F, 1-1/2A std., 115/230   | 966.09  | 995.07    |
|  | 355520   | CF-N1-1-1/2F, 2A std., 230 only  | 1138.10 | 1172.24   |
|  | 355984   | CF-N1-3/4FE, 1AE 115/208/230   | 927.64  | 955.47    |
|  | 355985   | CF-N1-1FE, 1-1/2AE 115/208/230   | 1071.61 | 1103.76   |
|  | 355639   | CF-N1-1-1/2FE, 2AE 208/230   | 1143.02 | 1177.31   |
|  | 355986   | CF-N1-2FE, 2-1/2AE 208/230   | 1448.95 | 1492.42   |
|  | 355640   | CF-N2-3/4F, 1A 2 sp. std., 115 only  | 1160.65 | 1195.47   |
|  | 355641   | CF-N2-1F, 1-1/2A 2 sp. std., 230 only  | 1193.06 | 1228.85   |
|  | 355642   | CF-N2-1-1/2F, 2A 2 sp. std., 230 only  | 1384.47 | 1426.00   |
|  | 355987   | CF-N2-2F, 2-1/2A 2 sp. std., 230 only  | 1646.54 | 1695.94   |
|  | 345211   | CFII-N1-5FE, power end   | 1656.06 | 1705.74   |
|  | 345301   | CFII-N1-5F, 3 ph, power end  | 1580.17 | 1627.58   |
| <b>NOT SHOWN</b>   |          |  |         |           |
|  | 355309   | Union kit  | 93.73   | 96.54     |
|  | 357391   | Pot Assembly, Black with SS basket (3F Only) Includes items 23-28                            | 589.67  | 607.36    |
|  | 359507   | Pot Assembly, Black with plastic bracket (all models except 3F and 5F) Includes items 23-28. | 220.71  | 227.33    |

<sup>1</sup> Pump base (item 11) includes dual radius motor support adapter (item 11B) which fits both 5-5/8 in. & 6-1/2 in. dia. motors.

<sup>2</sup> Item 18, carriage bolt is a replacement part for old style clamp band assembly (item 7).

<sup>3</sup> Includes items 23 & 24.

<sup>4</sup> Includes items 16 & 17.

Note: Challenger booster pumps consist of 1-20.

Note: Challenger pumps consist of all items except No.15.

Note: When ordering replacement motor, give all information on motor name plate.

Product on pages 160-161.

Replacement baskets on page 130.