

# Challenger® High Flow Pumps

## Fiberglass Reinforced Swimming Pool Pump



Challenger High Flow Pump

### Featured Highlights

- See-thru Lid
- Large Strainer Basket
- User-friendly removable drain plugs
- Most diverse offering in voltage and horsepower

### Fiberglass Reinforced Pump with Closed Impeller, Single Speed

Pump components are custom molded thermoplastic for superior strength and durability. All components developed and perfected through Computer Assisted Design for maximum flow performance at minimum operating expense.

## Ordering Information

Product	Model	Voltage	Full Load Amps	HP	SF	SFHP	Primary Listings and Certifications <sup>4</sup>	Port Size (NPT)	Carton Wt. (Lbs.)	Curve Key
<b>ENERGY EFFICIENT SINGLE SPEED FULL RATED</b>										
342235	CFII-N1-1FE	115/208-230	14.8/7.8-7.4	1	1.65	1.65	UL <sup>1</sup> , NSF <sup>2</sup> , CSA <sup>3</sup>	2 in. x 2 in.	48	C
342236	CFII-N1-1-1/2FE	208-230	9.6-8.8	1-1/2	1.47	2.20	UL <sup>1</sup> , NSF <sup>2</sup> , CSA <sup>3</sup>	2 in. x 2 in.	49	D
342238	CFII-N1-2FE	208-230	11.0-10.2	2	1.30	2.60	UL <sup>1</sup> , NSF <sup>2</sup> , CSA <sup>3</sup>	2 in. x 2 in.	55	E
<b>STANDARD EFFICIENCY SINGLE SPEED FULL RATED</b>										
342232	CFII-N1-1/2F	115/230	10.8/5.4	1/2	1.90	0.95	UL <sup>1</sup> , NSF <sup>2</sup> , CSA <sup>3</sup>	2 in. x 2 in.	37	A
342233	CFII-N1-3/4F	115/230	14.2/7.1	3/4	1.67	1.25	UL <sup>1</sup> , NSF <sup>2</sup> , CSA <sup>3</sup>	2 in. x 2 in.	39	B
342234	CFII-N1-1F	115/230	16.0/8.0	1	1.65	1.65	UL <sup>1</sup> , NSF <sup>2</sup> , CSA <sup>3</sup>	2 in. x 2 in.	41	C
342231	CFII-N1-1.5F	115/230	22.4/11.2	1-1/2	1.50	2.20	UL <sup>1</sup> , NSF <sup>2</sup>	2 in. x 2 in.	49	D
342248	CFII-N1-2F	230	11.5	2	1.30	2.60	UL <sup>1</sup> , NSF <sup>2</sup> , CSA <sup>3</sup>	2 in. x 2 in.	55	E
<b>STANDARD EFFICIENCY SINGLE SPEED UP RATED</b>										
343232	CFII-N1-3/4A	115/230	10.8/5.4	3/4	1.25	0.95	UL <sup>1</sup> , CSA <sup>3</sup>	2 in. x 2 in.	37	A
343233	CFII-N1-1A	115/230	14.2/7.1	1	1.25	1.25	UL <sup>1</sup> , CSA <sup>3</sup>	2 in. x 2 in.	39	B
343234	CFII-N1-1-1/2A	115/230	16.0/8.0	1-1/2	1.10	1.65	UL <sup>1</sup> , CSA <sup>3</sup>	2 in. x 2 in.	41	C
343240	CFII-N1-2A	115/230	22.4/11.2	2	1.10	2.20	UL <sup>1</sup> , CSA <sup>3</sup>	2 in. x 2 in.	49	D
343229	CFII-N1-2-1/2A	230	11.5	2-1/2	1.04	2.60	UL <sup>1</sup>	2 in. x 2 in.	55	E

<sup>1</sup> 'UL' indicates that pump bears a specific UL mark signifying evaluation to U.S. Standards UL1081 for Permanently Connected Swimming Pool and Spa Pumps and to Canadian Standards CAN/CSA C22.2 No. 108-01 Liquid Pumps For Swimming Pools And Spas. (Enclosure 3).

<sup>2</sup> 'NSF' indicates that pump bears a NSF mark signifying evaluation to NSF Standard 50 For Self-Priming Centrifugal Pumps For Swimming Pools, Spas and Hot Tubs.

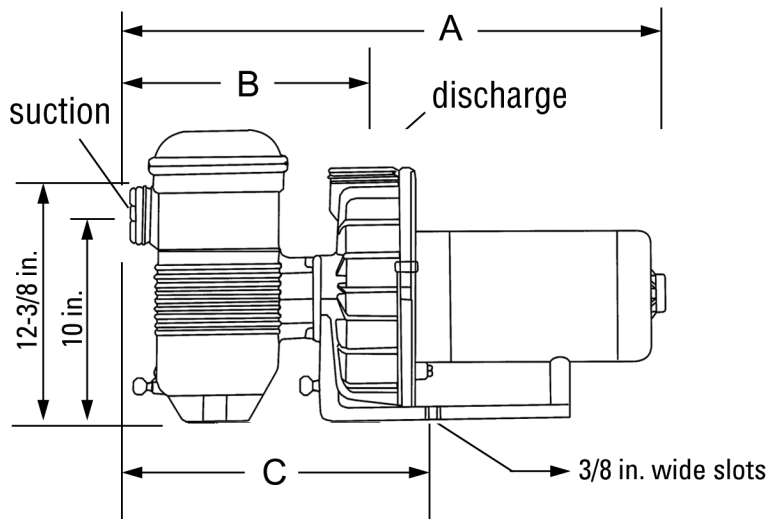
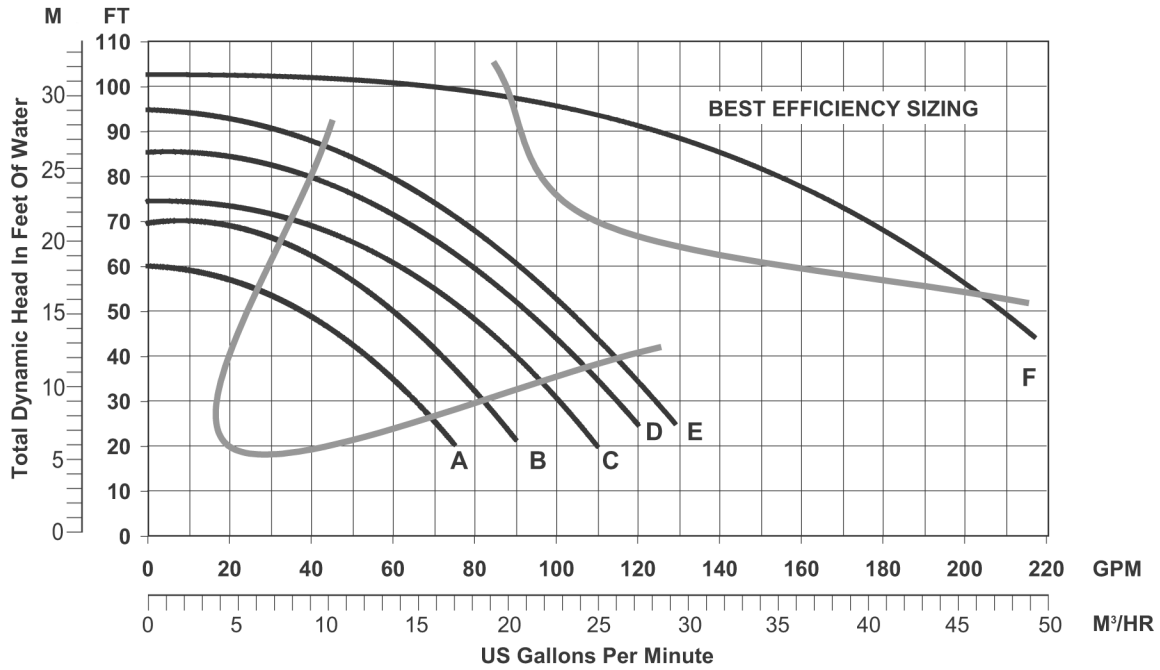
<sup>3</sup> 'CSA' indicates that pump bears a CSA mark signifying evaluation to Canadian Standards CAN/CSA C22.2 No. 108-01 Liquid Pumps For Swimming Pools And Spas. (Enclosure 3).

<sup>4</sup> Product may have been evaluated to other state and local regulatory standards. Listing status may change. Always confirm status with appropriate agency if in doubt.

# Challenger® High Flow Pumps (Cont'd)

## Dimensions and Performance

Pentair Pool Products  
Challenger High Flow Series Performance Curves



Dimension A varies from 23 in. for 1/2 hp models to 30-7/8 in. for 5 hp models.

Dimension B = 9-5/8 in. for all models, except 5 hp = 13 in.

Dimension C = 14-1/4 in. for all models, except 5 hp = 17-3/16 in.