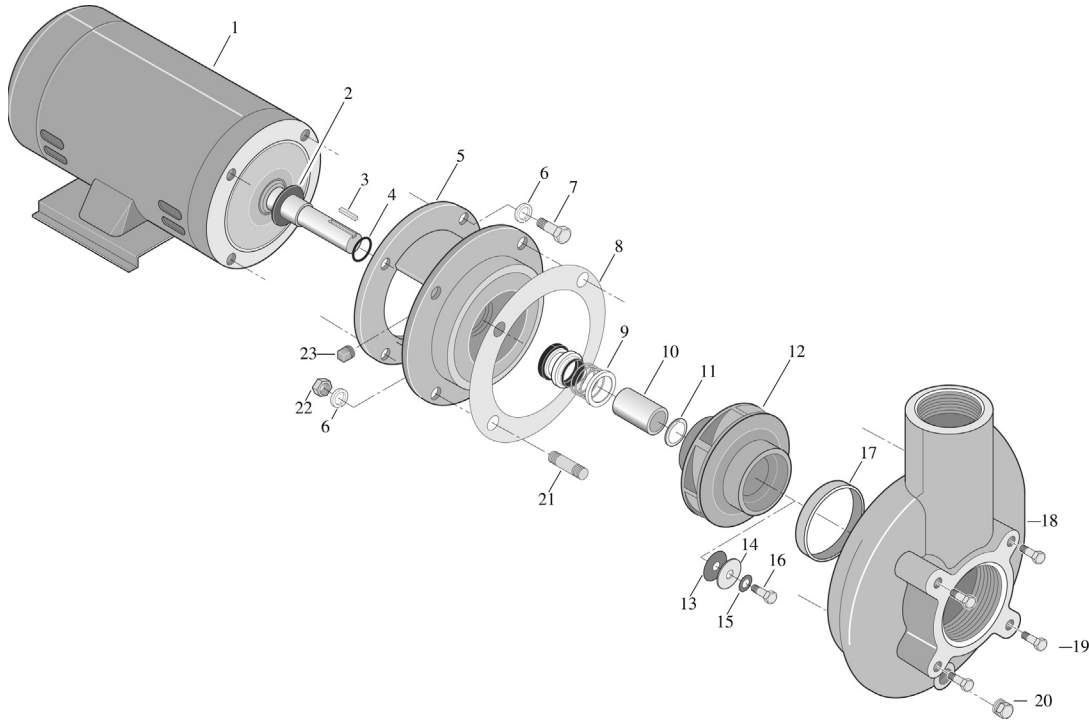


C/CC Series™ Centrifugal Pump

3 HP Model Replacement Parts



Item	Part No.	Description	US List	Can. List
CENTRIFUGAL PUMP - C/CC SERIES - 3 HP				
1	C218-177	Motor 230V/60H/1 Ph.	919.90	947.50
1	C218-178	Motor 200V/60H/3 Ph.	765.95	788.93
1	C218-179	Motor 230/460V/60H/3 Ph.	CALL	CALL
1	C218-191	Motor 200V/60H/1 Ph.	919.90	947.50
3	U65-42A	Key, Impeller	10.72	11.04
4	U9-265	O-Ring	2.18	2.25
5	C2-81	Adapter (Models: CCMH-136, CCM2H-136, CCM2H-136S, CCMH3-136S, CCM2H3-136, CCM2H3--136S, CCHH-137S, CCHH3-137S, CCH2H-137S, CCH2H3-137, CCH2H3-137S)	198.65	204.61
5	C2-81D	Adapter (Models: CMH-136, CMH3-136, CM2H-136, CM2H3-136, CCH-137, CHH3-137, CH2H3-137)	723.28	744.98
6	U43-12ZP	Lockwasher, 3/8 in.	1.27	1.31
7	U30-73ZP	Capscrew, 3/8-16 x 7/8 in.	CALL	CALL
8	C20-77	Gasket	4.58	4.72
9	U109-433SS	Shaft Seal (Replaces U109-220, effective 8/00)	114.17	117.60
10	C23-58	Shaft Sleeve	108.03	111.27
11	C20-101	Gasket, Sleeve	2.78	2.86
12	C105-224DG	Impeller (Silicon Brass) (Models: CCMH-136, CCM2H-136, CCM2H-136S, CCMH3-136S, CCM2H3-136, CCM2H3--136S, CMH-136, CMH3-136, CM2H-136, CM2H3-136)	657.44	677.16
12	C105-224DF	Impeller (Silicon Brass) (Models: CCHH-137S, CCHH3-137S, CCH2H-137S, CCH2H3-137, CCH2H3-137S, CHH-137, CHH3-137, CH2H3-137)	631.05	649.98

Item	Part No.	Description	US List	Can. List
13	C20-100	Gasket, Impeller	2.78	2.86
14	C43-45SS	Washer, Impeller	5.36	5.52
15	C43-46	Washer, Stat-O-Seal	4.76	4.90
16	U30-72SS	Screw, Impeller 3/8-16 x 3/4 in.	3.75	3.86
17	C23-40	Wear Ring Only	88.31	90.96
18	C101-167	Volute Assembly (Incl. 17 Only) (Models CCMH-136, CCM2H-136, CCM2H-136S, CCMH3-136S, CCM2H3-136, CCM2H3--136S, CCHH-137S, CCHH3-137S, CCH2H-137S, CCH2H3-137, CCH2H3-137S)	401.45	413.49
18	C101-167D	Volute Assembly (Incl. 17 Only) (Models CMH-136, CMH3-136, CM2H-136, CM2H3-136, CCH-137, CHH3-137, CH2H3-137)	1232.92	1269.91
20	U78-941ZPV	Pipe Plug, 1/4 in. NPT, Hex Head	1.39	1.43
21	U30-22SS	Stud, 3/8-16 x 1/16 in.	6.48	6.67
22	U36-38ZP	Nut, Hex 3/8 x 16 - (Models CCMH-136, CCM2H-136, CCM2H-136S, CCMH3-136S, CCM2H3-136, CCM2H3--136S, CCHH-137S, CCHH3-137S, CCH2H-137S, CCH2H3-137, CCH2H3-137S)	CALL	CALL
23	U78-57SSS	Pipe Plug, 1/4 in. NPT	7.47	7.69

Note: Model numbers with a "3" in them indicate a 3-Phase motor. Model numbers with a "2" in them indicate a 200V motor.

Note: C Series with different hydraulic numbers (CCMH-93) are older models that use different parts. Consult factory for older models.